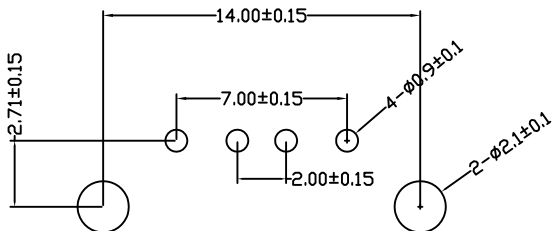
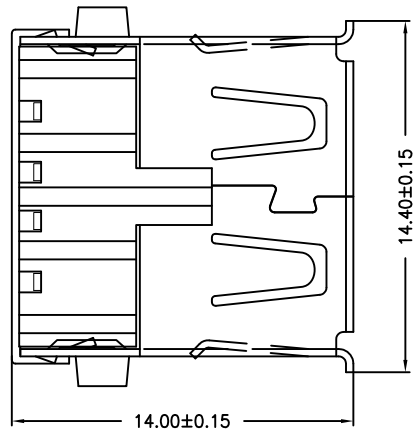
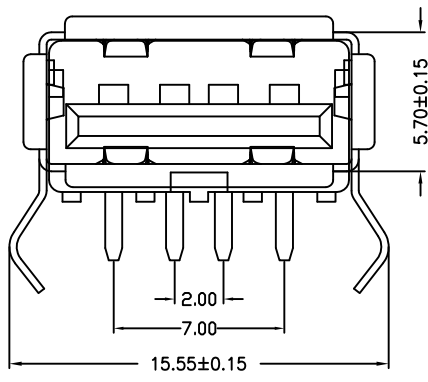
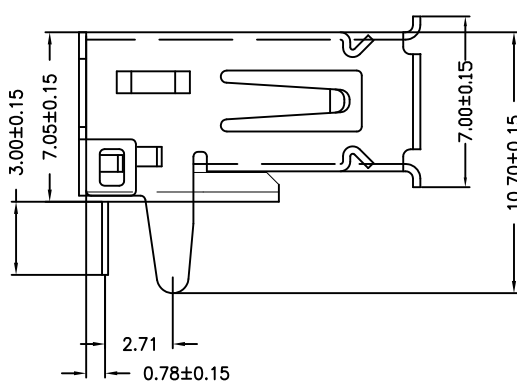


目錄 MAPX	設變內容 MODIFICATION	日期 DATE



RBCOMMENDBD P.C.B PATTBRN LAYO UT

备注：侧弹分为外弹与内弹

NOTES:  
 Housing: Thermoplastics,UL94V-0  
 Contact: Copper Alloy  
 Shell: Copper Alloy/Steel  
 Voltage Current Rating:1.5 AMP. 30V AC  
 Insulation Resistance:1000MΩ Min.  
 Contact Resistance:30 MΩ Max.  
 Dielectric Withstanding Voltage:500W AC  
 Temperature Range:-35°C to +85°C  
 Insulator color: Black/White  
 Plastic material:PBT/LCP/Others  
 Shell finish:Nickel plated/Tin-Lead plated  
 Mechanical:  
 Mating Force: 3.5KG MAX  
 Unmating Force: 0.7 KG MIN.  
 Contact finish:  
 01: Selective Gold Flash  
 02: Selective Gold 3U"  
 03: Selective Gold 5U"  
 04: Selective Gold 15U"  
 05: Selective Gold 30U"

产品图 PRODUCT CHART DWG											
公差一览表 TOLERANCE UNLESS OTHERWISE				单位 UNITS	MM	制图 DRAWING	Z-Y-B	产品料号 PRODUCT PART NO.	DFD-USB-AF-05		
X.	±0.25	X'	±5°	比例 SCALE	1:1	审核 CHKD		产品名称 PRODUCT NO.	USB-AF外扣弯脚外壳		
.XX	±0.20	.XX'	±2°								
.XX	±0.15	.XX'	±1°	日期 DATE	2014/10/20	核准 APPD		角法 VIEW		版本 VER	A0
.XXX	±0.10	.XXX'	±0.5°								