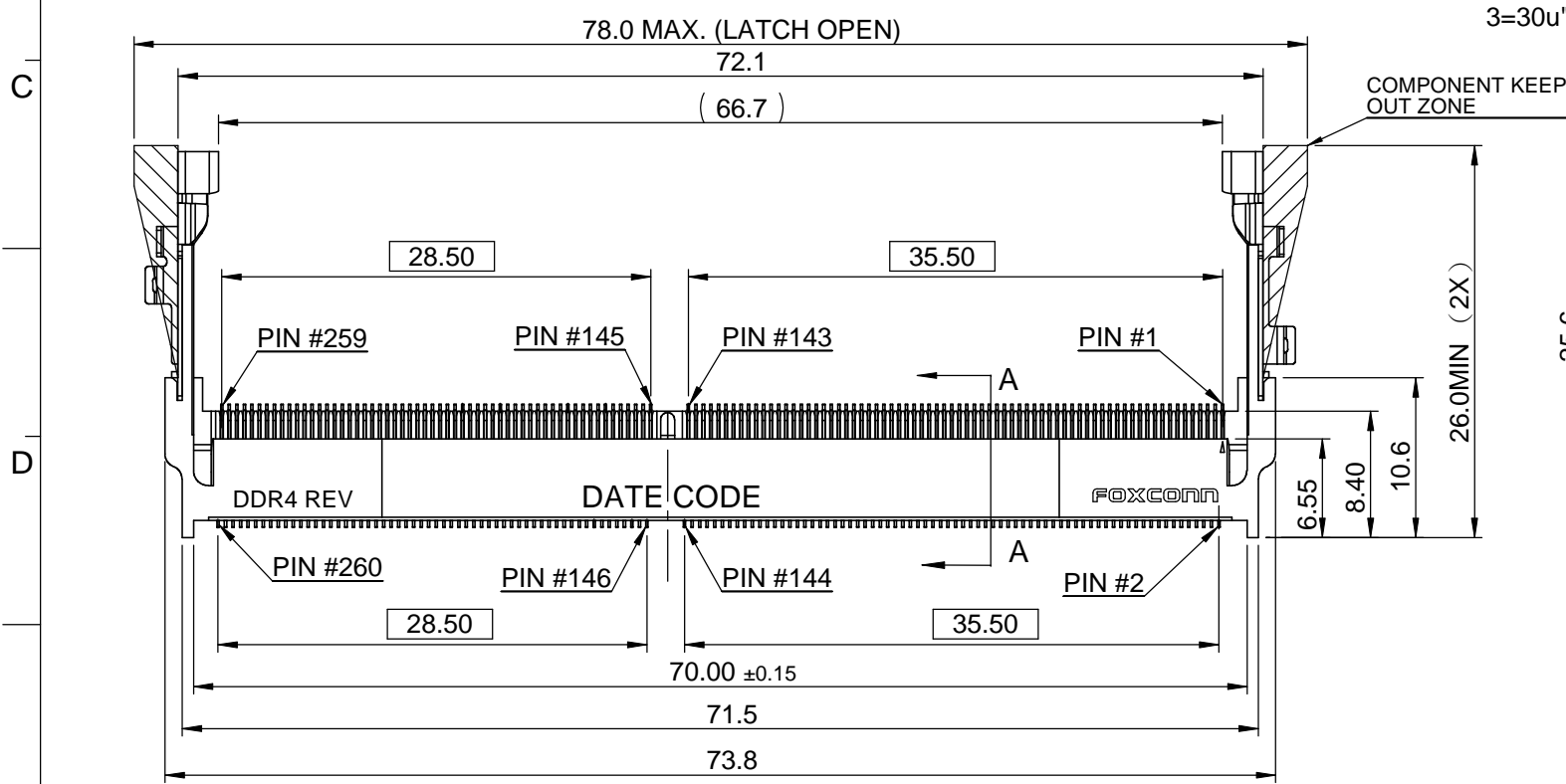
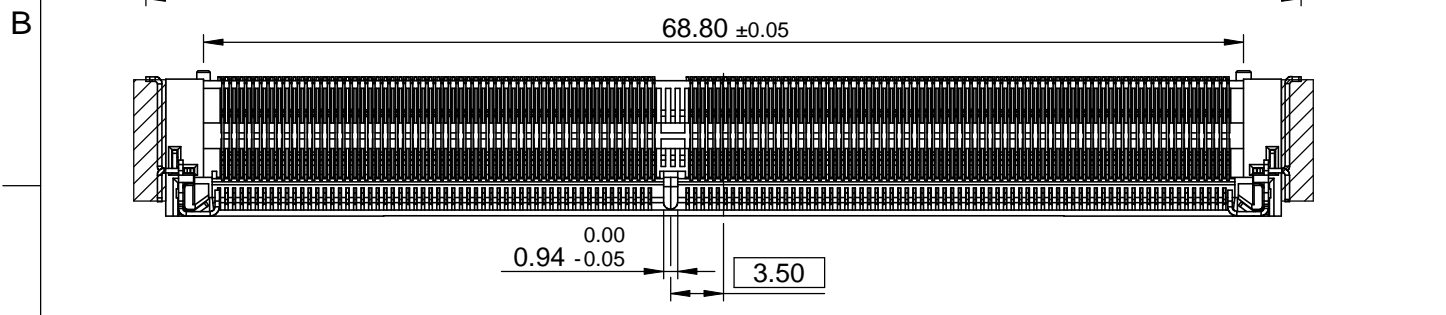
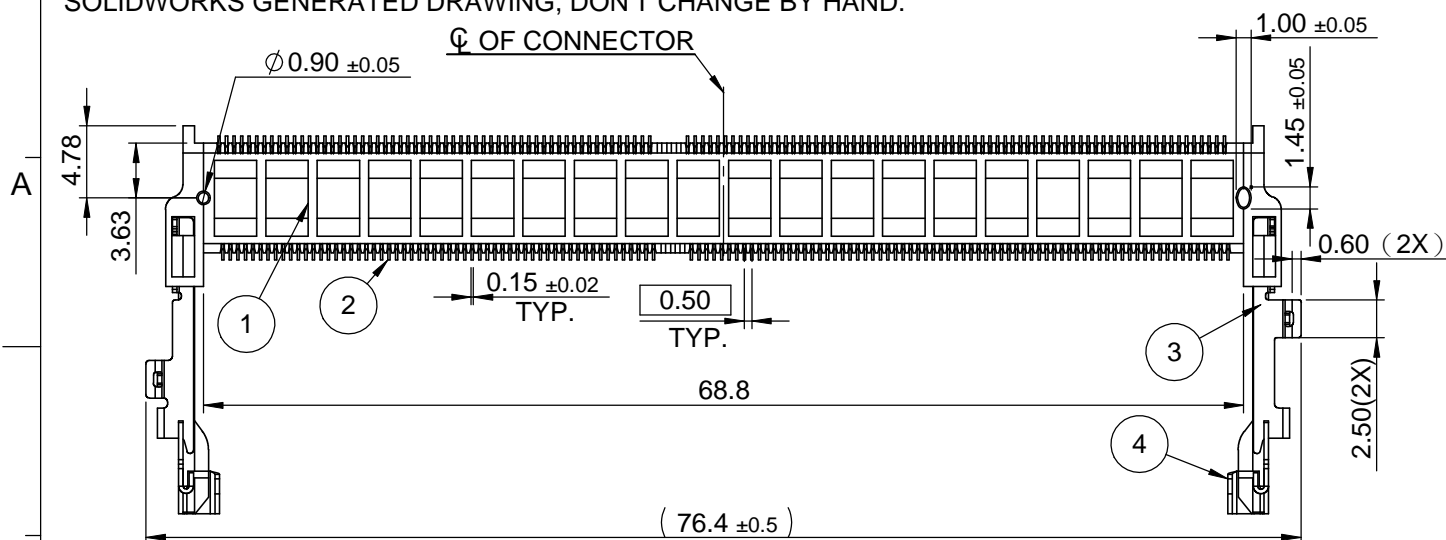


SOLIDWORKS GENERATED DRAWING, DON'T CHANGE BY HAND.

| | | |
|------|---------------|--------|
| REV. | ECN. NO. | APPD. |
| A | BC-15-0029745 | C.S Li |



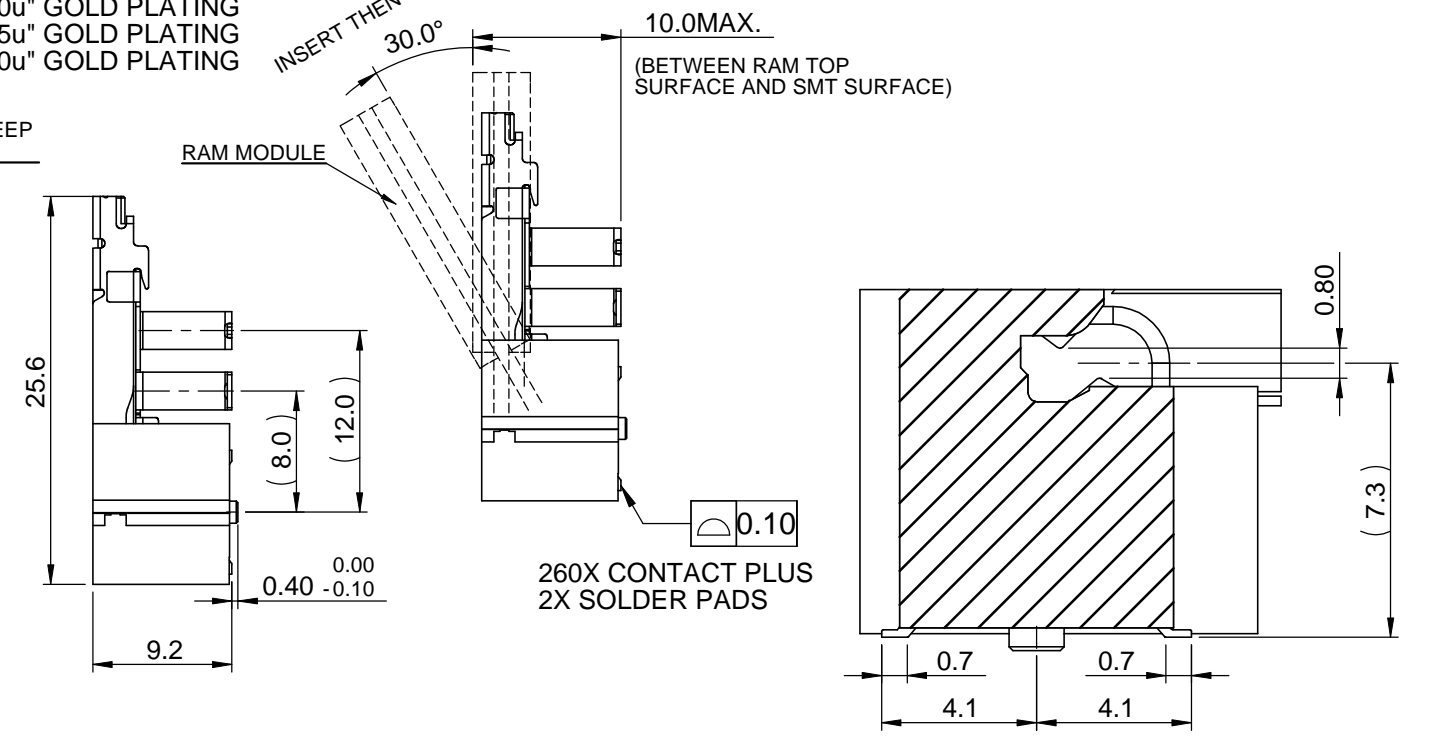
- NOTES:
- ELECTRICAL CHARACTERISTICS:
 - CONTACT CURRENT RATING: 0.5 AMPERE MAX. PER PIN.
 - VOLTAGE RATING: 25V AC.
 - INSULATION RESISTANCE: 100 MEGAOHMS MIN. AT 500V DC.
 - DIELECTRIC WITHSTANDING VOLTAGE: 250V AC RMS AT 60Hz, FOR 1 MINUTE.
 - CONTACT RESISTANCE: 60 MILLIOHMS MAX. PER PIN INITIAL
 Δ 10 MILLIOHMS PER PIN AFTER FULL ENVIRONMENTAL TESTING.
 - MECHANICAL CHARACTERISTICS: DURABILITY: 60 MATING CYCLES.
 - OPERATION TEMPERATURE: -55 °C TO +85 °C.
 - RECOMMENDED PROCESS CONDITION: SMT, PEAK TEMPERATURE: 260 °C 10~20S.
 - PLEASE CONTACT FOXCONN SALES REPRESENTATIVE TO VERIFY PRODUCT DETAILS & AVAILABILITY.

MEMORY MODULE SOCKET
 DDR SODIMM
 NO. OF POS.
 A8=260 POS.
 SMT

CONTACT AREA PLATING
 1=GOLD FLASH
 Y=5u" GOLD PLATING
 6=10u" GOLD PLATING
 7=15u" GOLD PLATING
 3=30u" GOLD PLATING

AS A A8 2 * - E A R B 0 - * H

H=HALOGEN FREE & LEAD FREE
 7=TAPE REEL
 4=SOFT TRAY
 0=EXTENSION CODE
 B=NORMAL TYPE, BLACK COLOR
 R=REVERSE
 A=9.2MM HEIGHT
 E=DDR SODIMM



SECTION A-A

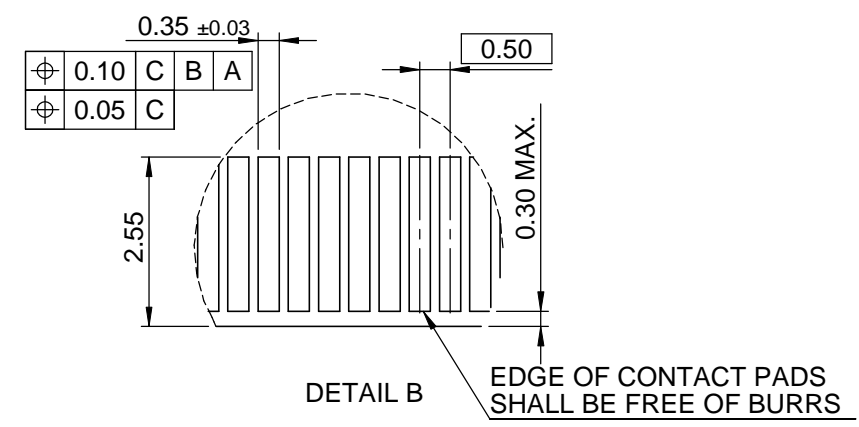
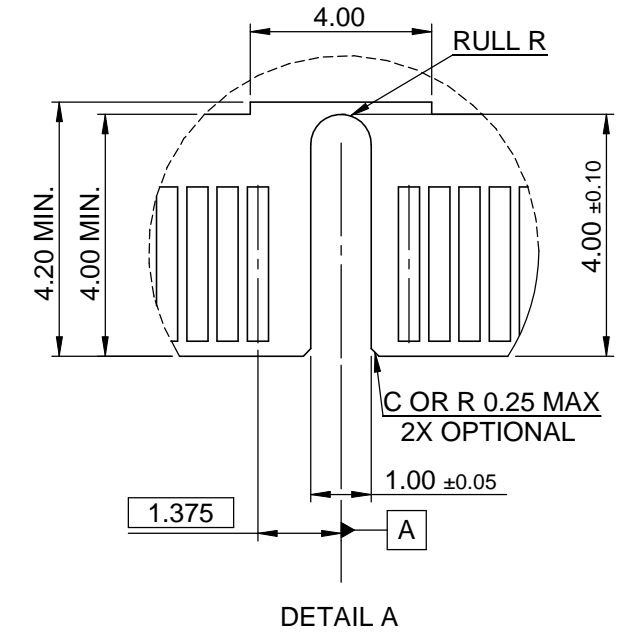
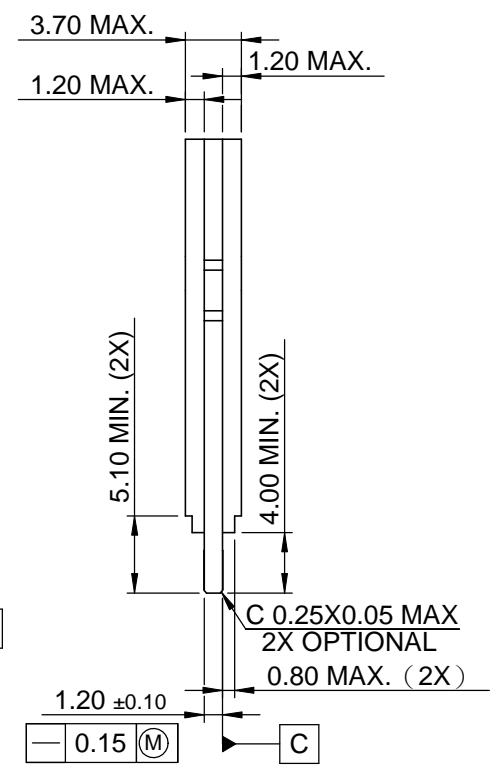
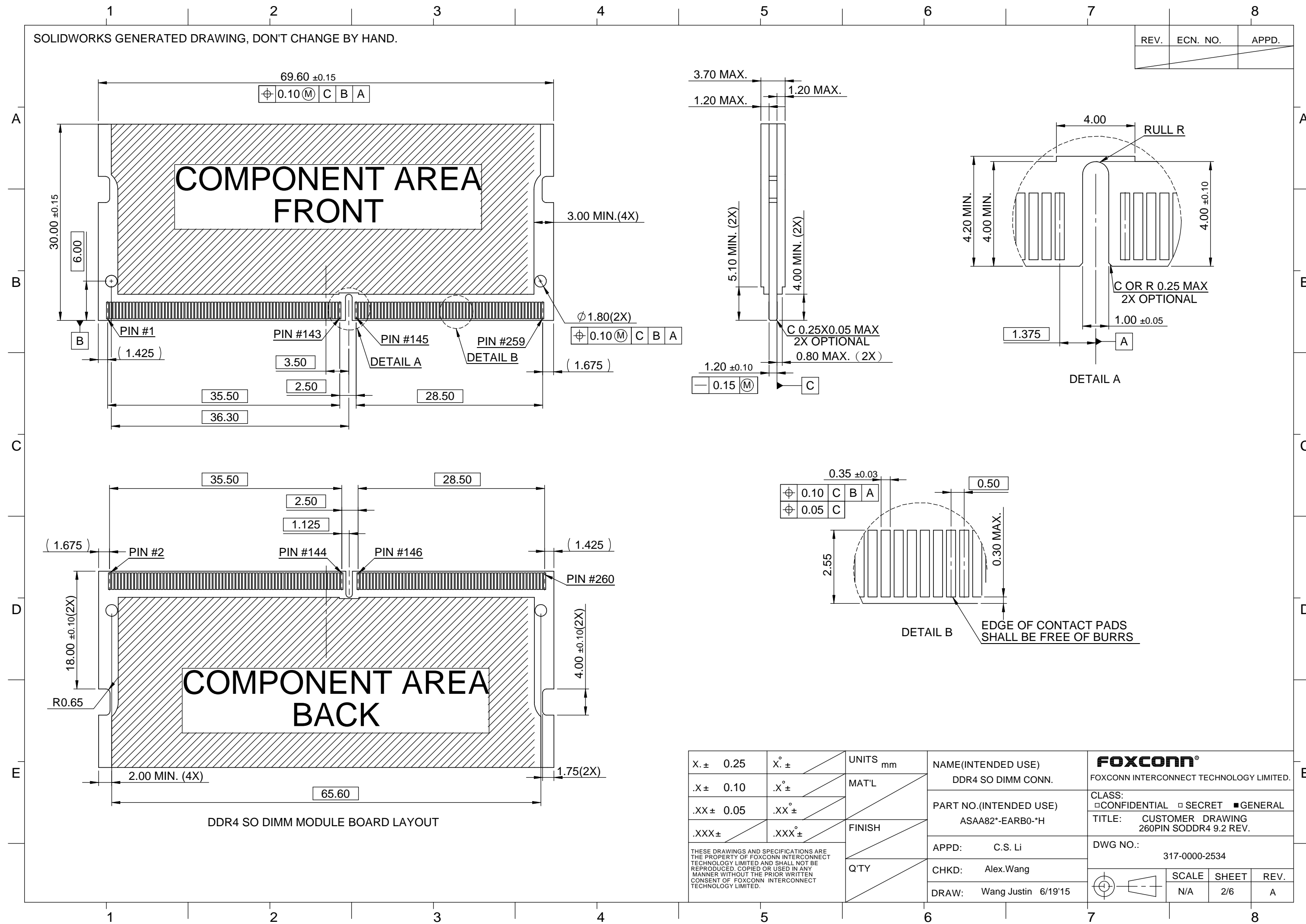
| ITEM | DESCRIPTION | Q'TY | METERIAL | TREATMENT |
|------|--------------|------|-----------------|---|
| 4 | METAL SPRING | 2 | STAINLESS STEEL | ULTRASONIC CLEANING |
| 3 | METAL PAD | 2 | STAINLESS STEEL | 10u" NICKEL UNDER PLATING 100u" MATTE TIN PLATING OVER SOLDER PAD AREA. |
| 2 | CONTACT | 260 | PHOSPHOR BRONZE | 50u" NICKEL UNDER PLATING GOLD FLASH OR 5u" OR 10u" OR 15u" OR 30u" GOLD PLATING AT CONTACT AREA; GOLD FLASH PLATING AT TAIL |
| 1 | HOUSING | 1 | LCP | UL94V-0, HALOGEN FREE, BLACK COLOR |

| | | | | |
|---|---------|----------|---|--|
| X. ± 0.30 | X° ± | UNITS mm | NAME (INTENDED USE) DDR4 SO DIMM CONN. | FOXCONN® FOXCONN INTERCONNECT TECHNOLOGY LIMITED. CLASS: <input type="checkbox"/> CONFIDENTIAL <input type="checkbox"/> SECRET <input checked="" type="checkbox"/> GENERAL TITLE: CUSTOMER DRAWING 260PIN SODDR4 9.2 REV. DWG NO.: 317-0000-2534 |
| .X ± 0.25 | .X° ± | | | |
| .XX ± 0.15 | .XX° ± | FINISH | PART NO. (INTENDED USE) ASAA82*-EARB0-*H | |
| .XXX ± | .XXX° ± | | APPD: C.S. Li | |
| THESE DRAWINGS AND SPECIFICATIONS ARE THE PROPERTY OF FOXCONN INTERCONNECT TECHNOLOGY LIMITED AND SHALL NOT BE REPRODUCED, COPIED OR USED IN ANY MANNER WITHOUT THE PRIOR WRITTEN CONSENT OF FOXCONN INTERCONNECT TECHNOLOGY LIMITED. | | | Q'TY | |

| | | |
|-------|-------|------|
| SCALE | SHEET | REV. |
| N/A | 1/6 | A |

SOLIDWORKS GENERATED DRAWING, DON'T CHANGE BY HAND.

| REV. | ECN. NO. | APPD. |
|------|----------|-------|
| | | |



DDR4 SO DIMM MODULE BOARD LAYOUT

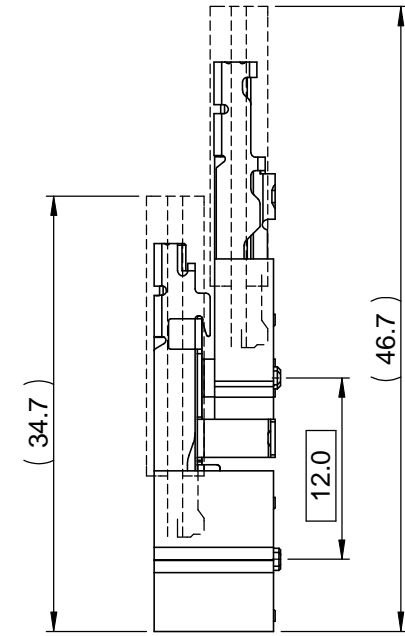
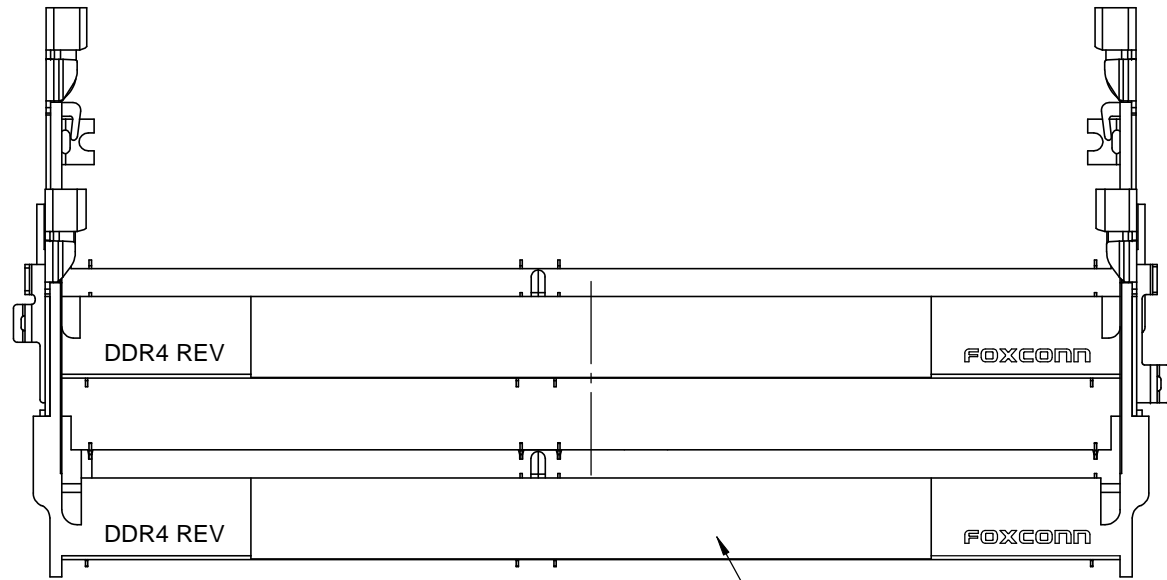
| X.± 0.25 | X° ± | UNITS mm | NAME (INTENDED USE) DDR4 SO DIMM CONN. | FOXCONN® FOXCONN INTERCONNECT TECHNOLOGY LIMITED. | | | | | | |
|---|---------|----------|---|---|-------|-------|------|-----|-----|---|
| .X± 0.10 | .X° ± | MAT'L | PART NO. (INTENDED USE) ASAA82*-EARB0-*H | | | | | | | |
| .XX± 0.05 | .XX° ± | FINISH | APPD: C.S. Li | CLASS: <input type="checkbox"/> CONFIDENTIAL <input type="checkbox"/> SECRET <input checked="" type="checkbox"/> GENERAL TITLE: CUSTOMER DRAWING 260PIN SODDDR4 9.2 REV. | | | | | | |
| .XXX± | .XXX° ± | Q'TY | CHKD: Alex.Wang | DWG NO.: 317-0000-2534 | | | | | | |
| THESE DRAWINGS AND SPECIFICATIONS ARE THE PROPERTY OF FOXCONN INTERCONNECT TECHNOLOGY LIMITED AND SHALL NOT BE REPRODUCED, COPIED OR USED IN ANY MANNER WITHOUT THE PRIOR WRITTEN CONSENT OF FOXCONN INTERCONNECT TECHNOLOGY LIMITED. | | | DRAW: Wang Justin 6/19/15 | <table border="1"> <tr> <th>SCALE</th> <th>SHEET</th> <th>REV.</th> </tr> <tr> <td>N/A</td> <td>2/6</td> <td>A</td> </tr> </table> | SCALE | SHEET | REV. | N/A | 2/6 | A |
| SCALE | SHEET | REV. | | | | | | | | |
| N/A | 2/6 | A | | | | | | | | |

SOLIDWORKS GENERATED DRAWING, DON'T CHANGE BY HAND.

| REV. | ECN. NO. | APPD. |
|------|----------|-------|
| | | |

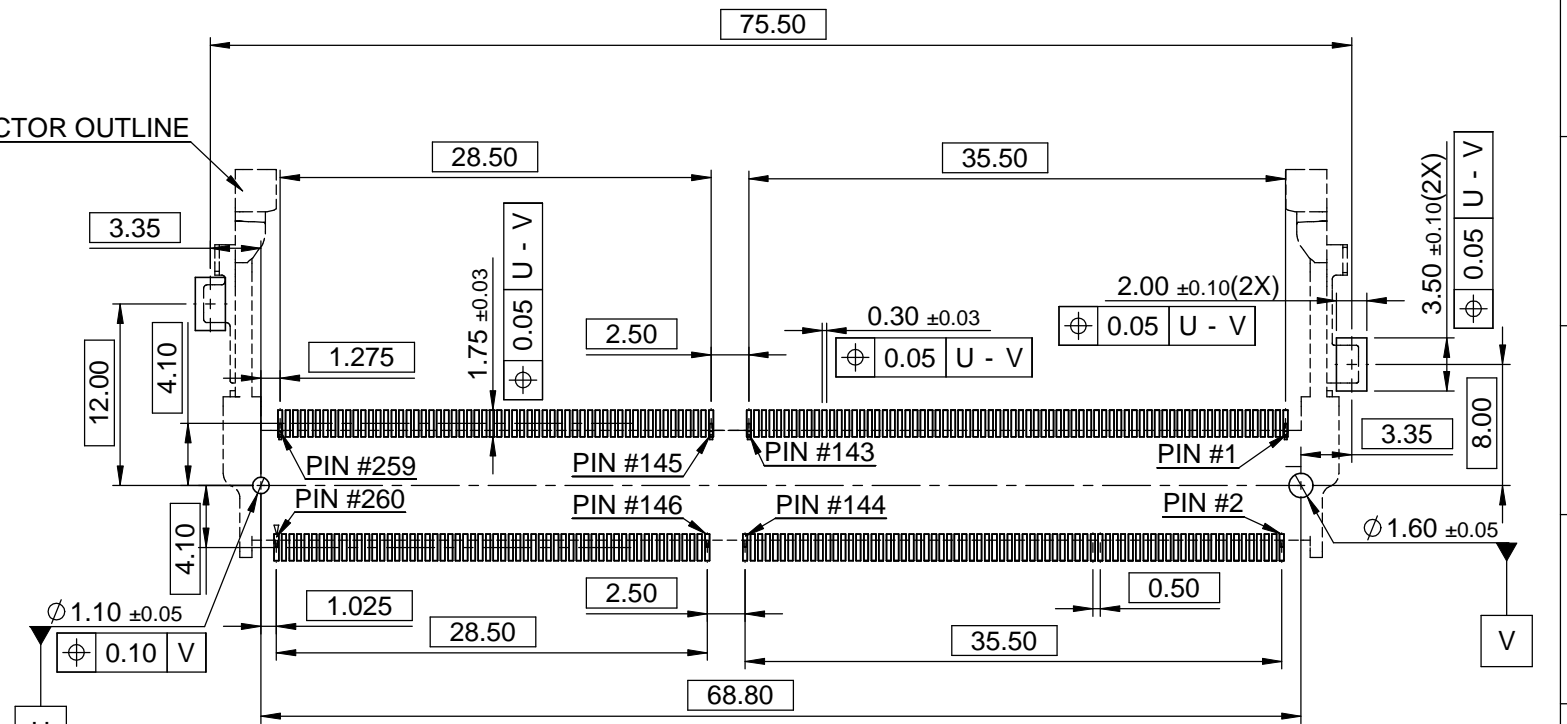
A
B
C
D
E

A
B
C
D
E

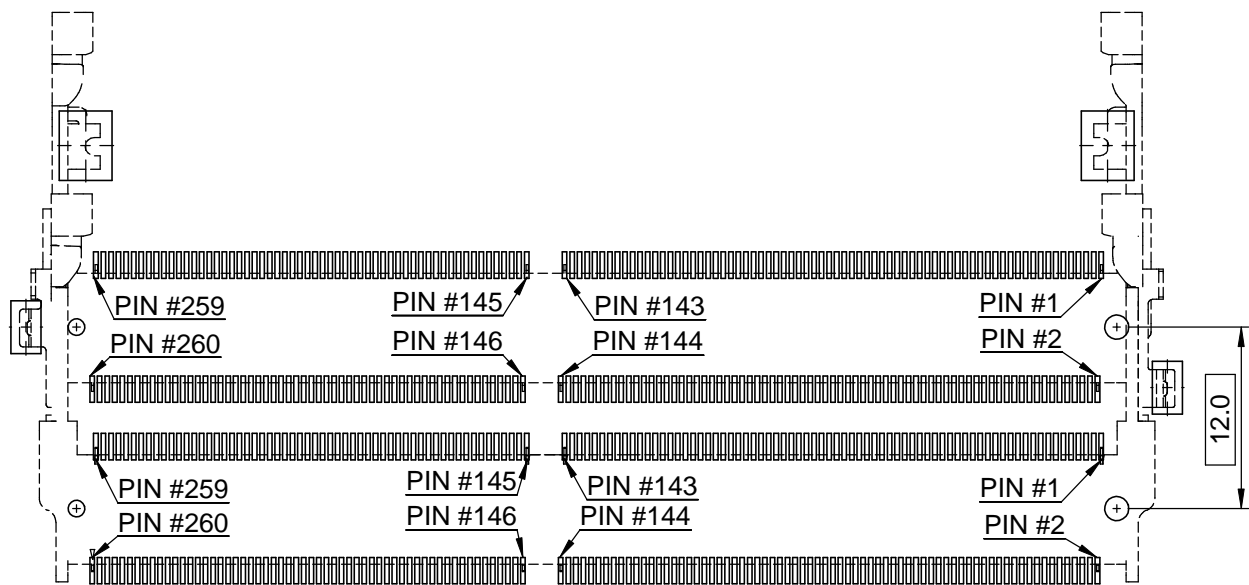


ASAA82*-EARB0*-H

CONNECTOR OUTLINE



P.C.B. LAYOUT (RECOMMEND THICKNESS = 1.40MM)

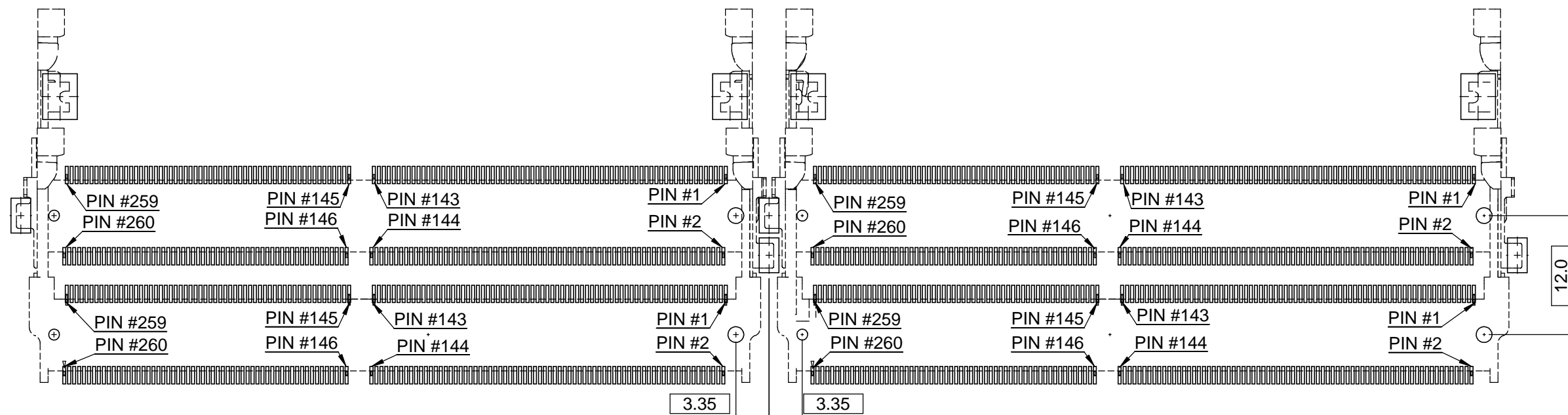
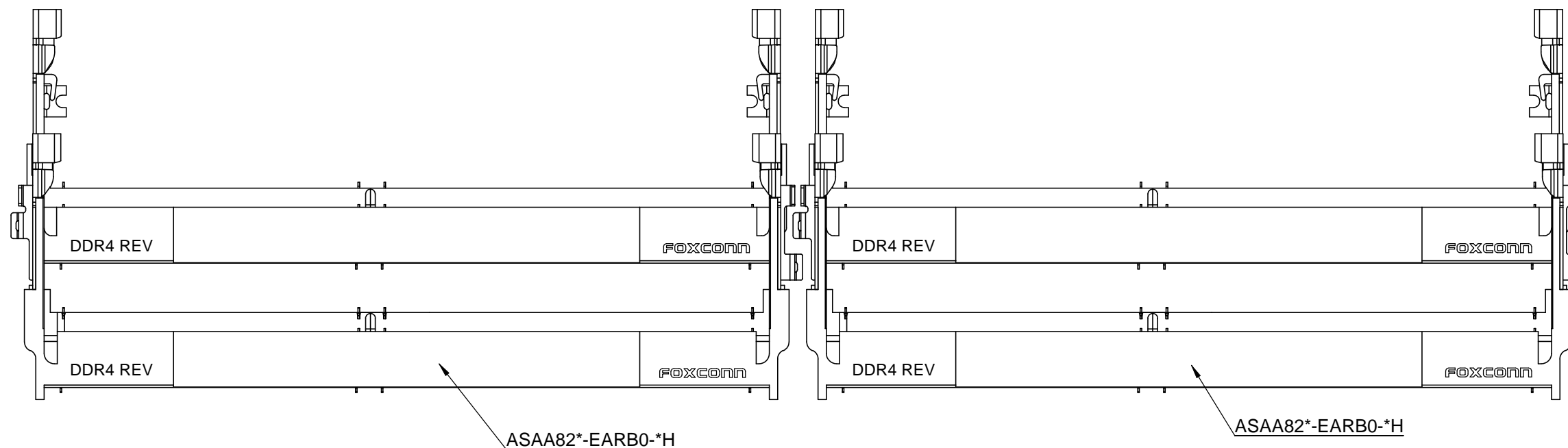


| | | | | |
|---|---------|----------|---|---|
| X. ± 0.25 | X° ± | UNITS mm | NAME (INTENDED USE) DDR4 SO DIMM CONN. | FOXCONN® FOXCONN INTERCONNECT TECHNOLOGY LIMITED. |
| .X ± 0.10 | .X° ± | | | |
| .XX ± 0.05 | .XX° ± | FINISH | APPD: C.S. Li | TITLE: CUSTOMER DRAWING 260PIN SODDR4 9.2 REV. |
| .XXX ± | .XXX° ± | | | Q'TY |
| THESE DRAWINGS AND SPECIFICATIONS ARE THE PROPERTY OF FOXCONN INTERCONNECT TECHNOLOGY LIMITED AND SHALL NOT BE REPRODUCED, COPIED OR USED IN ANY MANNER WITHOUT THE PRIOR WRITTEN CONSENT OF FOXCONN INTERCONNECT TECHNOLOGY LIMITED. | | | DRAW: Wang Justin 6/19'15 | |

1 2 3 4 5 6 7 8

SOLIDWORKS GENERATED DRAWING, DON'T CHANGE BY HAND.

| | | |
|------|----------|-------|
| REV. | ECN. NO. | APPD. |
| | | |

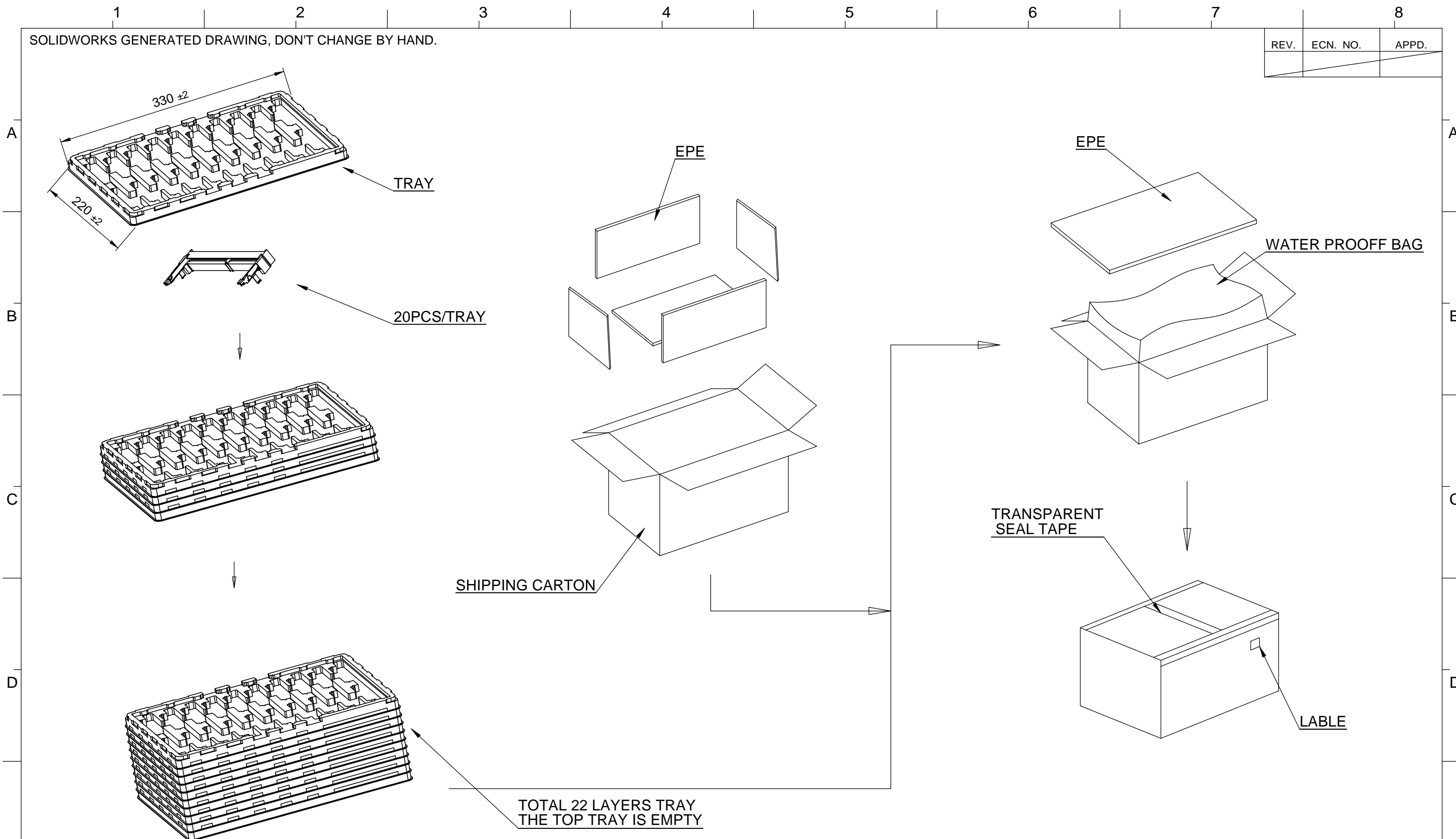


P.C.B. LAYOUT(DUAL COMPRESSED STACKED ORIENTATION)

| | | | | |
|---|---------|----------|---|---|
| X. ± 0.25 | X° ± | UNITS mm | NAME (INTENDED USE) DDR4 SO DIMM CONN. | FOXCONN® FOXCONN INTERCONNECT TECHNOLOGY LIMITED. |
| .X ± 0.10 | .X° ± | | | |
| .XX ± 0.05 | .XX° ± | FINISH | PART NO. (INTENDED USE) ASAA82*-EARB0-*H | TITLE: CUSTOMER DRAWING 260PIN SODDR4 9.2 REV. |
| .XXX ± | .XXX° ± | | Q'TY | APPD: C.S. Li |
| THESE DRAWINGS AND SPECIFICATIONS ARE THE PROPERTY OF FOXCONN INTERCONNECT TECHNOLOGY LIMITED AND SHALL NOT BE REPRODUCED, COPIED OR USED IN ANY MANNER WITHOUT THE PRIOR WRITTEN CONSENT OF FOXCONN INTERCONNECT TECHNOLOGY LIMITED. | | | | CHKD: Alex.Wang |
| | | | DRAW: Wang Justin 6/19/15 | |

SOLIDWORKS GENERATED DRAWING, DON'T CHANGE BY HAND.

| | | |
|------|----------|-------|
| REV. | ECN. NO. | APPD. |
| | | |

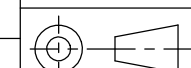


PACKING CAPACITY : 20 PCS/TRAY, 21 TRAYS/BOX,
TOTAL 420 PCS/BOX.

TOTAL 22 LAYERS TRAY
THE TOP TRAY IS EMPTY

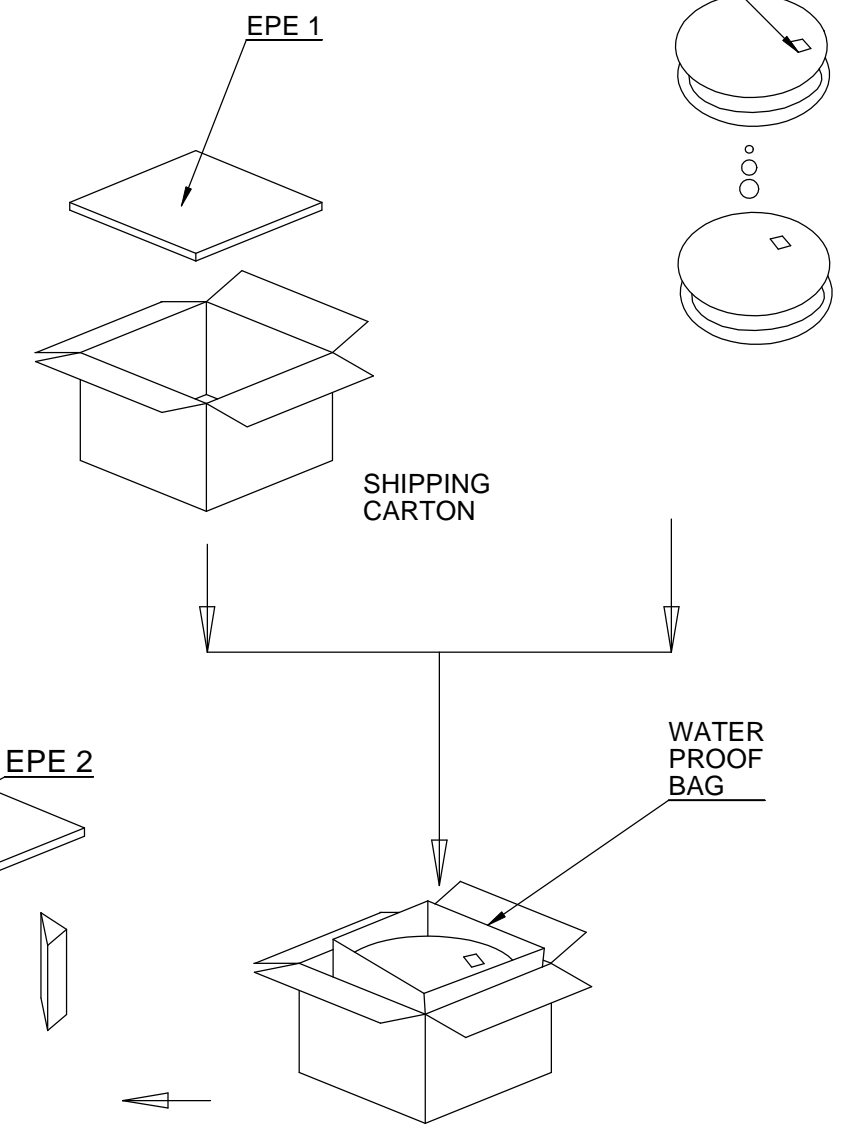
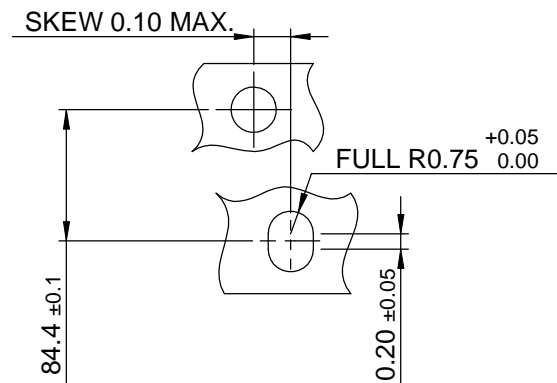
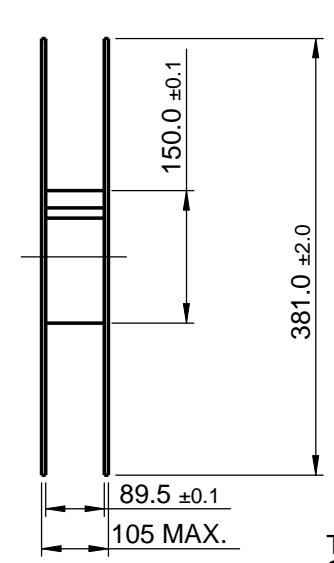
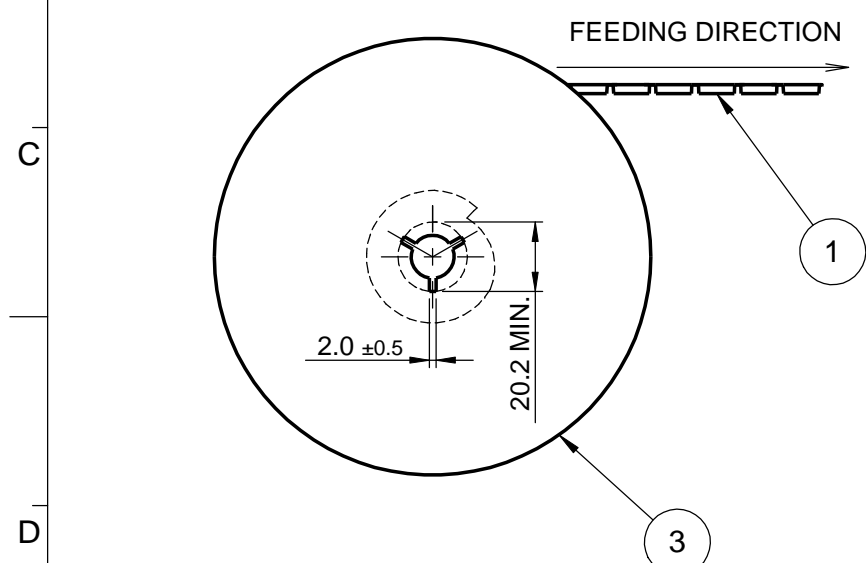
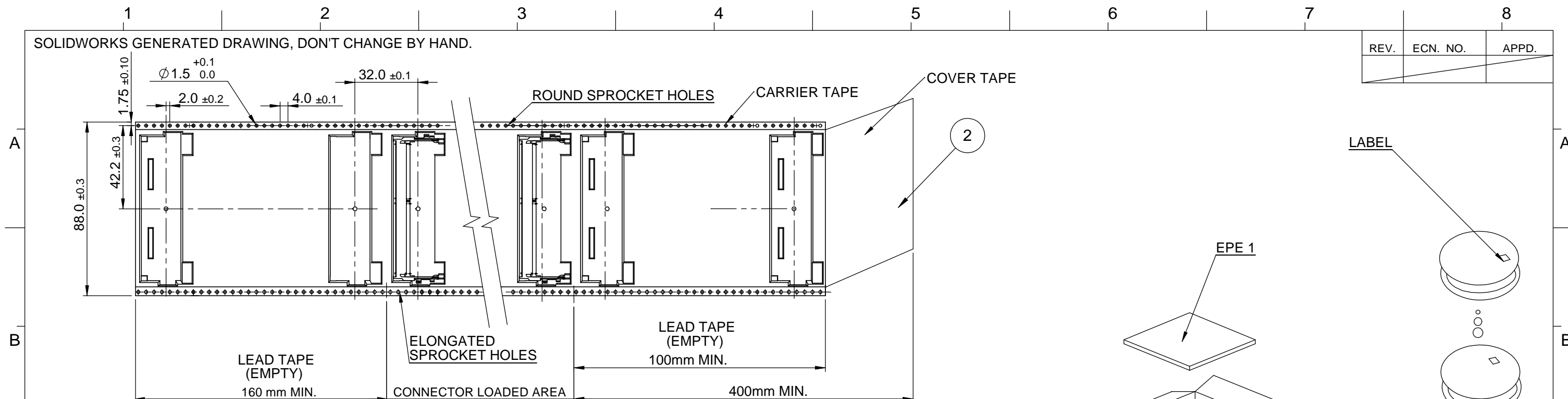
CONNECTOR P/N ASAA82*-EARB0-4H

| | | | | |
|---|---------|----------|---------------------------|---|
| X. ± 1.5 | X° ± | UNITS mm | NAME (INTENDED USE) | FOXCONN® FOXCONN INTERCONNECT TECHNOLOGY LIMITED. |
| .X ± 1.0 | .X° ± | | DDR4 SO DIMM CONN. | |
| .XX ± 0.2 | .XX° ± | MAT'L | PART NO. (INTENDED USE) | CLASS: <input type="checkbox"/> CONFIDENTIAL <input type="checkbox"/> SECRET <input checked="" type="checkbox"/> GENERAL |
| .XXX ± | .XXX° ± | | FINISH | ASAA82*-EARB0-*H |
| THESE DRAWINGS AND SPECIFICATIONS ARE THE PROPERTY OF FOXCONN INTERCONNECT TECHNOLOGY LIMITED AND SHALL NOT BE REPRODUCED, COPIED OR USED IN ANY MANNER WITHOUT THE PRIOR WRITTEN CONSENT OF FOXCONN INTERCONNECT TECHNOLOGY LIMITED. | | | APPD: C.S. Li | DWG NO.: 317-0000-2534 |
| | | | CHKD: Alex.Wang | |
| | | | DRAW: Wang Justin 6/19/15 | SCALE SHEET REV. N/A 5/6 A |



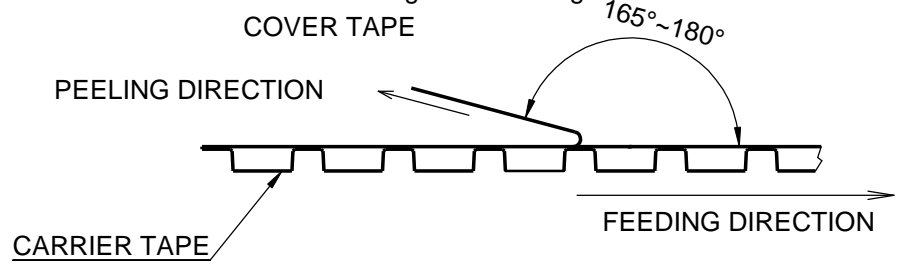
SOLIDWORKS GENERATED DRAWING, DON'T CHANGE BY HAND.

| REV. | ECN. NO. | APPD. |
|------|----------|-------|
| | | |



NOTES:

- 10 POCKETS HOLE PITCH CUMULATIVE TOLERANCE ±0.20mm.
- COVER TAPE PEELING STRENGTH : 0.01 kgf MIN. 0.15 kgf MAX. AT 300mm/min.



3. PACKING CAPACITY : 230 PCS/REEL, 3 REELS/BOX, TOTAL 690 PCS/BOX.

| 3 | REEL | POLYSTYRENE |
|------|--------------|-------------|
| 2 | COVER TAPE | POLYESTER |
| 1 | CARRIER TAPE | POLYSTYRENE |
| ITEM | DESCRIPTION | MATERIAL |

| | | | | |
|---|---------|----------|---|---|
| X. ± 1.5 | X° ± | UNITS mm | NAME (INTENDED USE) DDR4 SO DIMM CONN. | FOXCONN® FOXCONN INTERCONNECT TECHNOLOGY LIMITED. |
| .X ± 1.0 | .X° ± | | | |
| .XX ± 0.2 | .XX° ± | FINISH | PART NO. (INTENDED USE) ASAA82*-EARB0-*H | CLASS: <input type="checkbox"/> CONFIDENTIAL <input type="checkbox"/> SECRET <input checked="" type="checkbox"/> GENERAL |
| .XXX ± | .XXX° ± | | | TITLE: CUSTOMER DRAWING 260PIN SODDR4 9.2 REV. |
| THESE DRAWINGS AND SPECIFICATIONS ARE THE PROPERTY OF FOXCONN INTERCONNECT TECHNOLOGY LIMITED AND SHALL NOT BE REPRODUCED, COPIED OR USED IN ANY MANNER WITHOUT THE PRIOR WRITTEN CONSENT OF FOXCONN INTERCONNECT TECHNOLOGY LIMITED. | | | APPD: C.S. Li | DWG NO.: 317-0000-2534 |
| | | | CHKD: Alex.Wang | SCALE SHEET REV. |
| | | | DRAW: Wang Justin 6/19'15 | N/A 6/6 A |

| | |
|---------------|------------------|
| CONNECTOR P/N | ASAA82*-EARB0-7H |
|---------------|------------------|