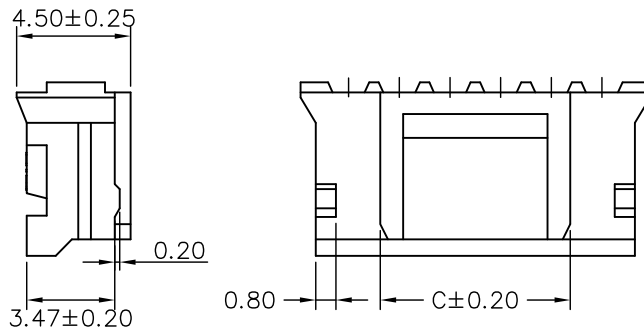
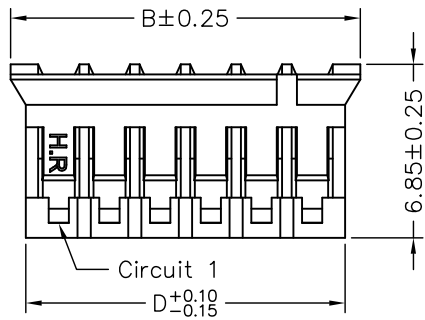


P/N LEGEND

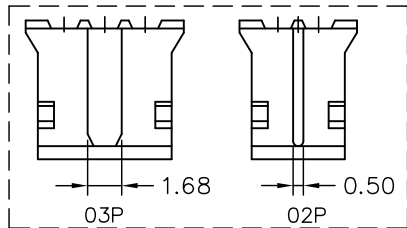
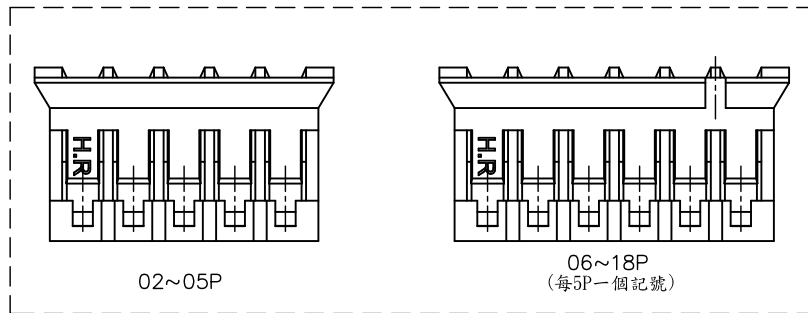
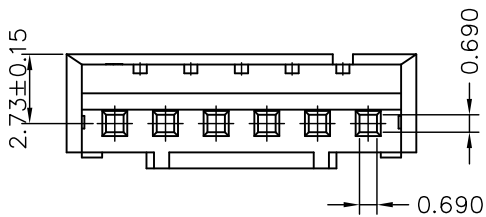
|                            |                           |                 |                |                         |                         |                              |                             |                          |                     |
|----------------------------|---------------------------|-----------------|----------------|-------------------------|-------------------------|------------------------------|-----------------------------|--------------------------|---------------------|
| A2001 H-XP N 0 X NP N 00 G |                           |                 |                |                         |                         |                              |                             |                          |                     |
| ①                          | ②                         | ③               | ④              | ⑤                       | ⑥                       | ⑦                            | ⑧                           | ⑨                        | ⑩                   |
| Series No.                 | Connector type: H=Housing | No. of circuits | N=Halogen Free | Material: 0=Nylon 66-V0 | Color: W=White; B=Black | Plating code: NP=Non-plating | Plating code: N=Non-plating | Option code: 00=Standard | Packing code: G=Bag |

SPECIFICATIONS

Current Rating: 2A AC,DC  
 Voltage Rating: 100V AC,DC  
 Temperature Range: -25°C ~ +85°C  
 Contact Resistance: 10mΩ Max.  
 Insulation Resistance: 1000MΩ Min.  
 Withstanding Voltage: 800V AC/minute  
 Material: Nylon 66,UL94V-0  
 Color: White&Black



| Circuit No. | Dimensions |       |       |       |
|-------------|------------|-------|-------|-------|
|             | A          | B     | C     | D     |
| 02P         | 2.00       | 5.80  | 0.50  | 4.60  |
| 03P         | 4.00       | 7.80  | 1.68  | 6.60  |
| 04P         | 6.00       | 9.80  | 3.50  | 8.60  |
| 05P         | 8.00       | 11.80 | 5.50  | 10.60 |
| 06P         | 10.00      | 13.80 | 7.50  | 12.60 |
| 07P         | 12.00      | 15.80 | 9.50  | 14.60 |
| 08P         | 14.00      | 17.80 | 11.50 | 16.60 |
| 09P         | 16.00      | 19.80 | 13.50 | 18.60 |
| 10P         | 18.00      | 21.80 | 15.50 | 20.60 |
| 11P         | 20.00      | 23.80 | 17.50 | 22.60 |
| 12P         | 22.00      | 25.80 | 19.50 | 24.60 |
| 13P         | 24.00      | 27.80 | 21.50 | 26.60 |
| 14P         | 26.00      | 29.80 | 23.50 | 28.60 |
| 15P         | 28.00      | 31.80 | 25.50 | 30.60 |
| 16P         | 30.00      | 33.80 | 27.50 | 32.60 |
| 17P         | 32.00      | 35.80 | 29.50 | 34.60 |
| 18P         | 34.00      | 37.80 | 31.50 | 36.60 |



SEC 1:1.25

|  |  |             |  |                   |       |                      |        |
|--|--|-------------|--|-------------------|-------|----------------------|--------|
| 燦達電子工業股份有限公司<br>JOINT TECH ELECTRONIC IND. CO., LTD. |  |             |  | UNIT              | SCALE | SHEET                | TITLE: |
|  |  |             |  | mm                | 1 : 1 | 1 of 1               |        |
| DRAWN BY   |  | APPROVED BY |  | GENERAL TOLERANCE |       | 2.00mm PITCH HOUSING |        |
| 陳敏   |  | 董正一         |  |                   |       |                      |        |
| 2011.06.28   |  | 2011.06.28  |  | X. X±0.25         |       | DRAW NO. :           |        |
| NEW RELEASE  |  | DATE        |  | X. XX±0.15        |       | A2001H-XPNXXXXXXXXX  |        |
| REV.   |  | DESCRIPTION |  | X. XXX±0.05       |       | REV. AO              |        |