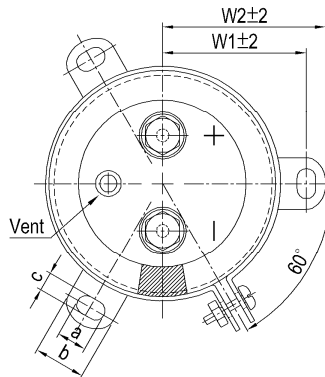
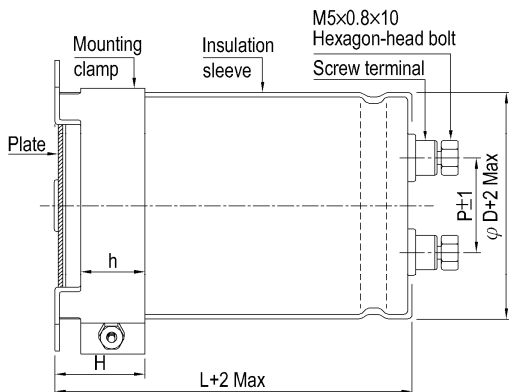


CUSTOMER :
CUSTOMER P/N:

PRODUCT DIMENSIONS



Unit: mm	
ϕ D	63.5
L	105
P	28.6
W1	38.1
W2	42.6
H±1	30
h±1	24
a±0.5	7
b±0.5	14.0
c±0.5	4.5

Items	Performance															
Rated Voltage V_R	400 V															
Capacitance C_R	3300 μ F (120 Hz, 20°C)															
Category Temperature Range	-25°C ~ +85°C															
Capacitance Tolerance	-20 % ~ +20 % (120 Hz, 20°C)															
Surge Voltage V_S	440 VDC															
Leakage Current (20°C)	$I_{LEAK} \leq 3447 \mu$ A After 5 minutes															
Tan δ	≤ 0.15 (120 Hz, 20°C)															
Ripple Current ($I_{AC, R}$ / rms)	7.9 A (120 Hz, 85°C)															
Low Temperature Characteristics at 120 Hz	<table border="1"> <tr> <td>Rated Voltage</td> <td>400</td> </tr> <tr> <td>Capacitance change $C_{(-25^\circ C)} / C_{(+20^\circ C)}$</td> <td>$\geq 0.7$</td> </tr> </table>	Rated Voltage	400	Capacitance change $C_{(-25^\circ C)} / C_{(+20^\circ C)}$	≥ 0.7											
Rated Voltage	400															
Capacitance change $C_{(-25^\circ C)} / C_{(+20^\circ C)}$	≥ 0.7															
Ripple Current (A) and Frequency Multipliers	<table border="1"> <tr> <td>Frequency (Hz)</td> <td>50 / 60</td> <td>100 / 120</td> <td>300</td> <td>1k</td> <td>10k up</td> </tr> <tr> <td>Multipliers</td> <td>0.7</td> <td>1.0</td> <td>1.1</td> <td>1.3</td> <td>1.4</td> </tr> </table>	Frequency (Hz)	50 / 60	100 / 120	300	1k	10k up	Multipliers	0.7	1.0	1.1	1.3	1.4			
Frequency (Hz)	50 / 60	100 / 120	300	1k	10k up											
Multipliers	0.7	1.0	1.1	1.3	1.4											
Ripple Current (A) and Temperature Multipliers	<table border="1"> <tr> <td>Temperature (°C)</td> <td>40</td> <td>60</td> <td>70</td> <td>85</td> </tr> <tr> <td>Multipliers</td> <td>2.7</td> <td>2.0</td> <td>1.7</td> <td>1.0</td> </tr> </table>	Temperature (°C)	40	60	70	85	Multipliers	2.7	2.0	1.7	1.0					
Temperature (°C)	40	60	70	85												
Multipliers	2.7	2.0	1.7	1.0												
Endurance and Shelf Life Test	<table border="1"> <tr> <td>Items</td> <td>Endurance</td> <td>Shelf Life Test</td> </tr> <tr> <td>Test Time</td> <td>2,000 Hrs at 85°C, $V_R, I_{AC, R}$</td> <td>500 Hrs at 85°C</td> </tr> <tr> <td>Cap. Change</td> <td>Within ± 15 % of initial value</td> <td>Within ± 20 % of initial value</td> </tr> <tr> <td>Tan δ</td> <td>Less than 175% of specified value</td> <td>Less than 200% of specified value</td> </tr> <tr> <td>Leakage Current</td> <td>Within specified value</td> <td>Within specified value</td> </tr> </table> <p>Shelf Life Test: The rated voltage shall be applied to the capacitors before the measurements (Refer to JIS C 5101-4 4.1)</p>	Items	Endurance	Shelf Life Test	Test Time	2,000 Hrs at 85°C, $V_R, I_{AC, R}$	500 Hrs at 85°C	Cap. Change	Within ± 15 % of initial value	Within ± 20 % of initial value	Tan δ	Less than 175% of specified value	Less than 200% of specified value	Leakage Current	Within specified value	Within specified value
Items	Endurance	Shelf Life Test														
Test Time	2,000 Hrs at 85°C, $V_R, I_{AC, R}$	500 Hrs at 85°C														
Cap. Change	Within ± 15 % of initial value	Within ± 20 % of initial value														
Tan δ	Less than 175% of specified value	Less than 200% of specified value														
Leakage Current	Within specified value	Within specified value														
Mounting capacitor	Do not mount the capacitor with terminals (safety vent) upside down															
Standards	JIS C 5101-4, IEC 60384-4															
Remarks	RoHS Compliance															

* Please refer to "Precautions and Guidelines for Aluminum Electrolytic Capacitors" section in Lelon's catalog for further details.

Publication Date	November 15, 2018	Approval Signatures:	Approved	Checked	Designed
Revision Date					
Version No.	1				

Please return one copy with your approval