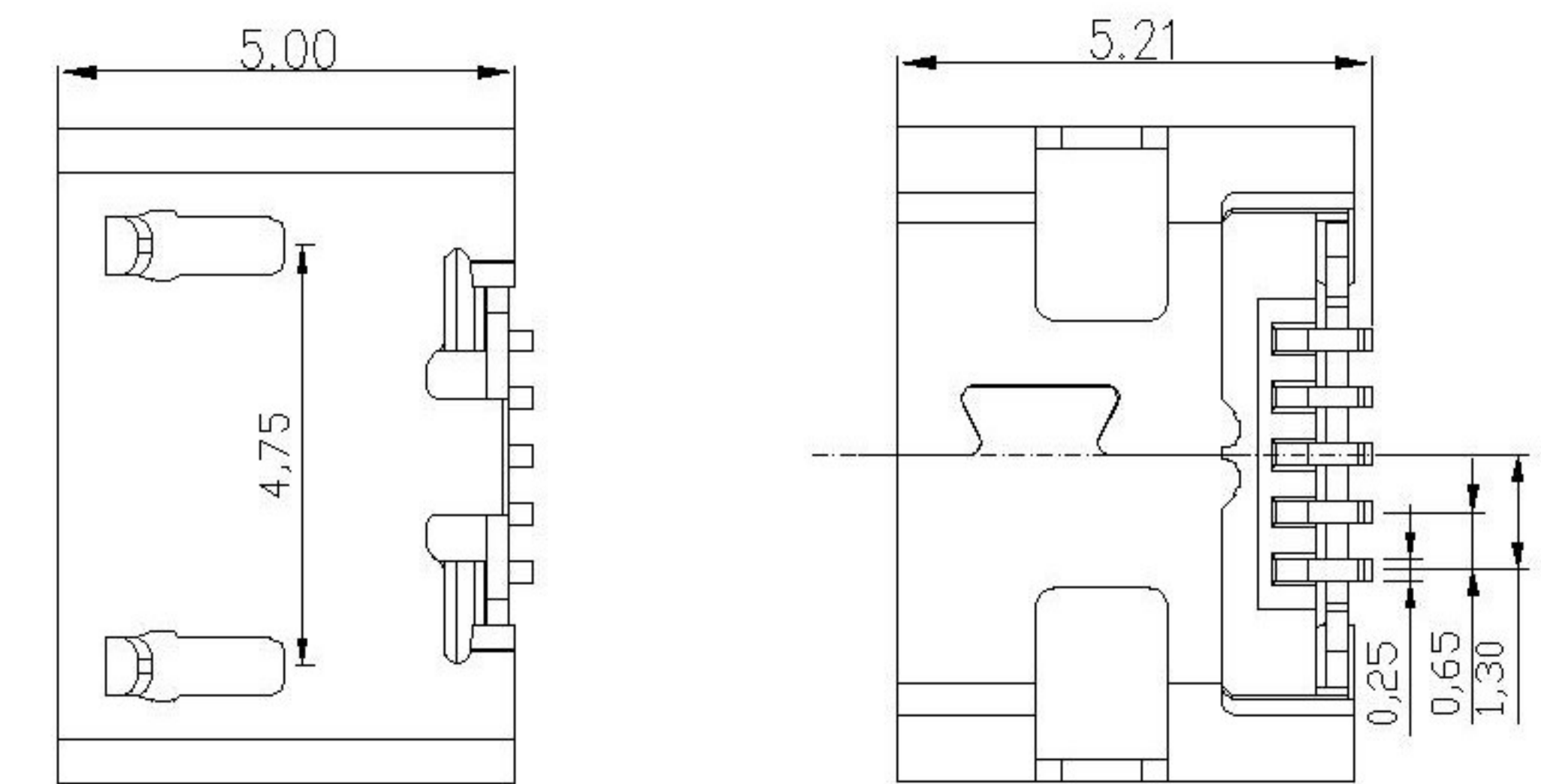
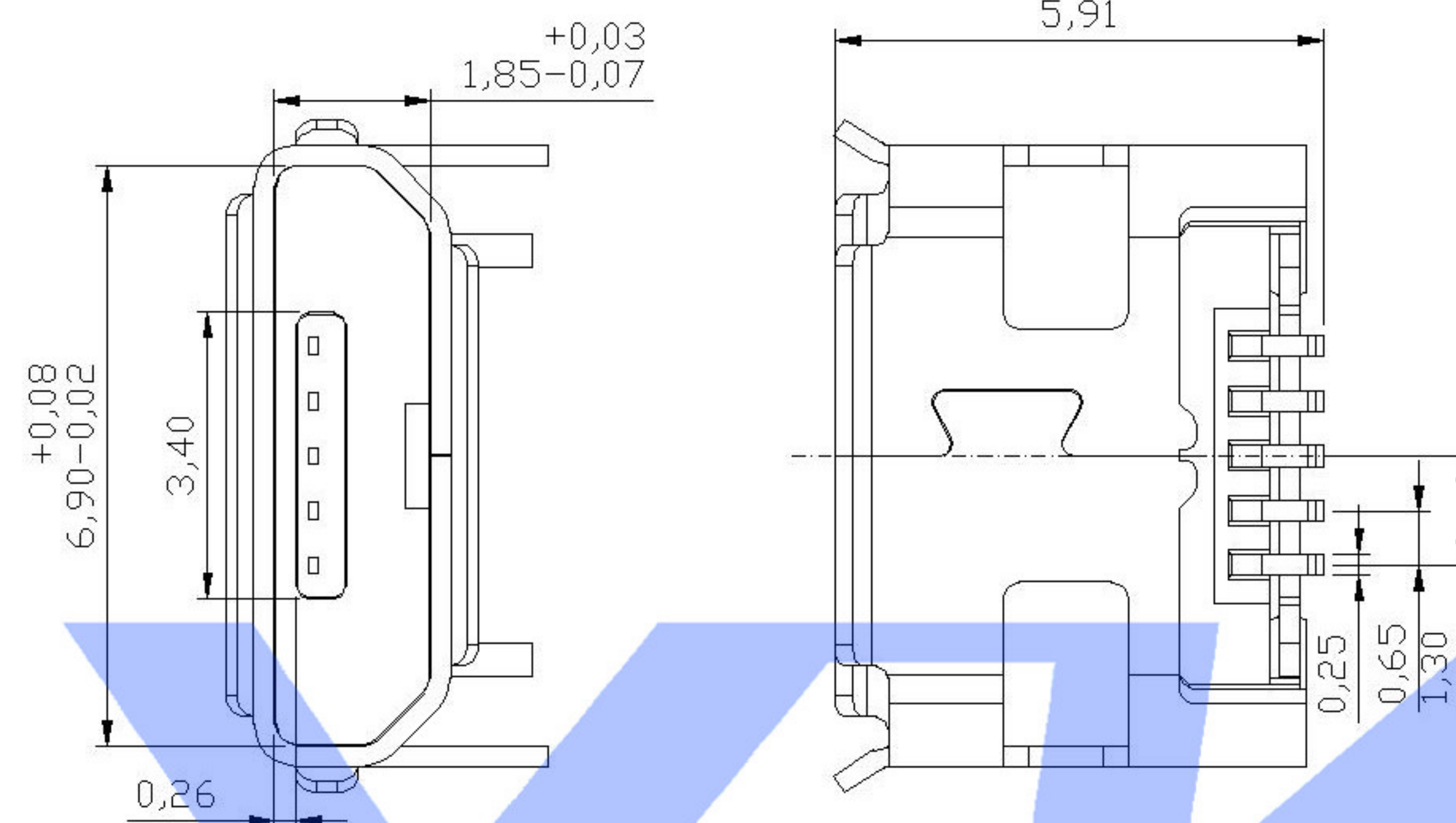
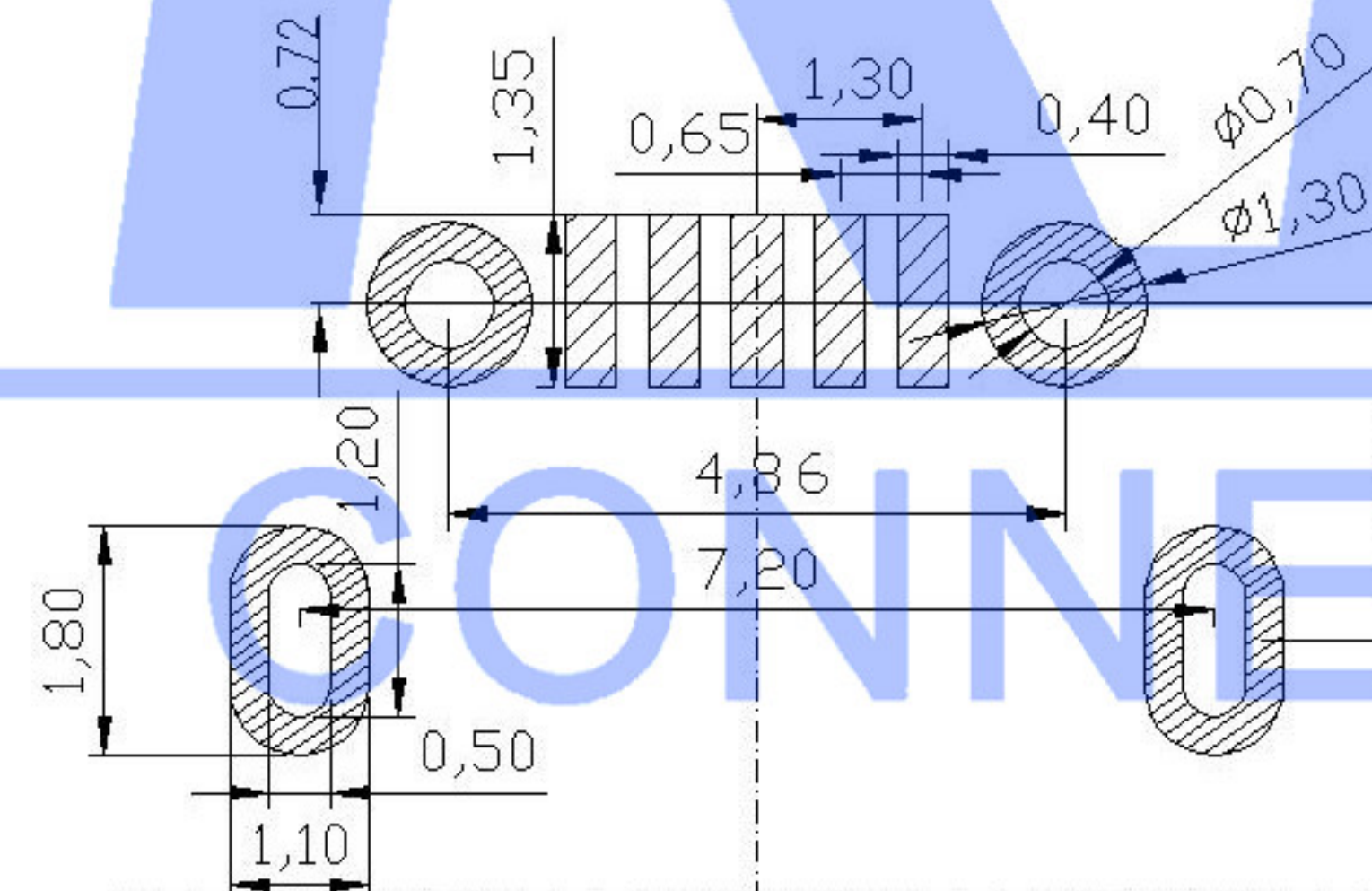
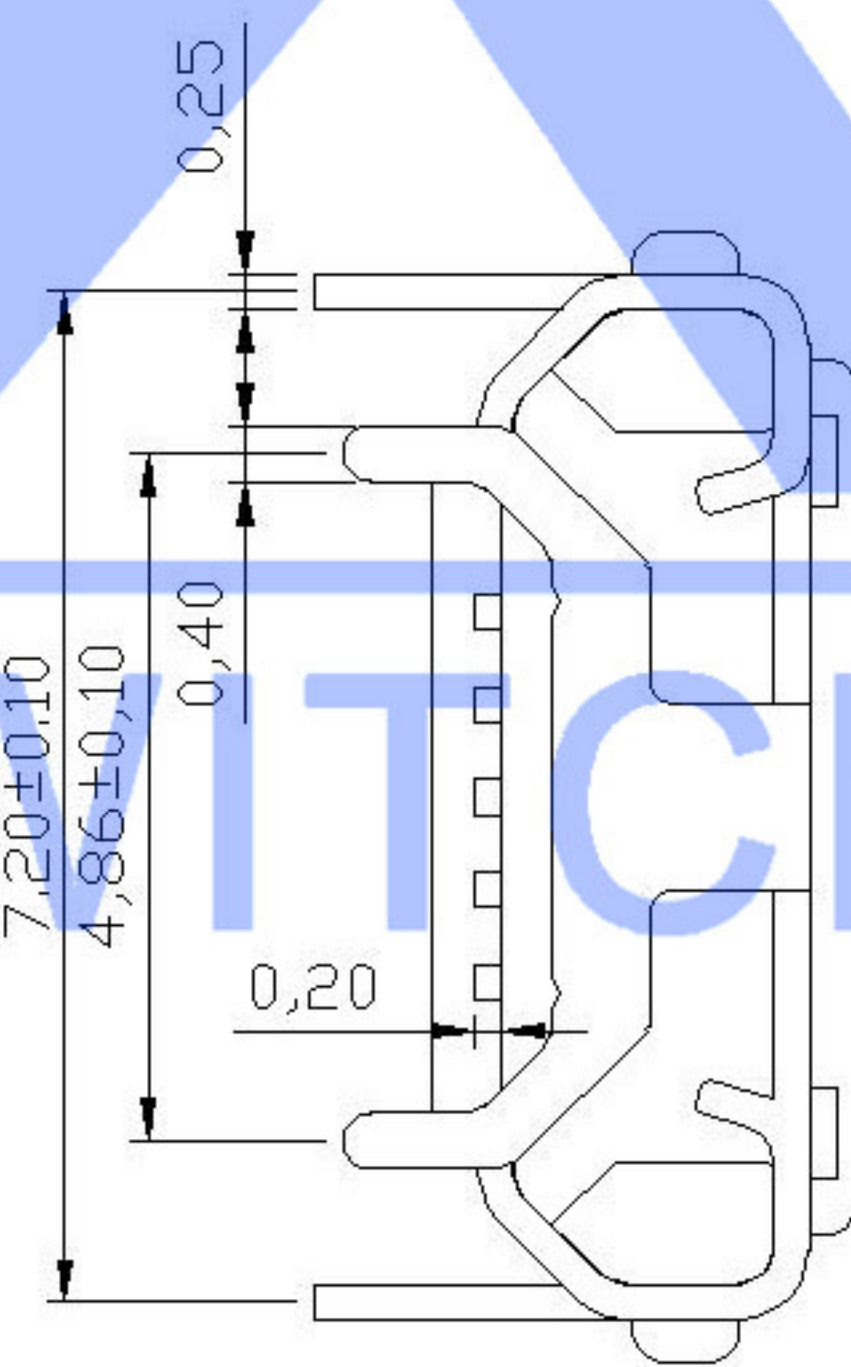
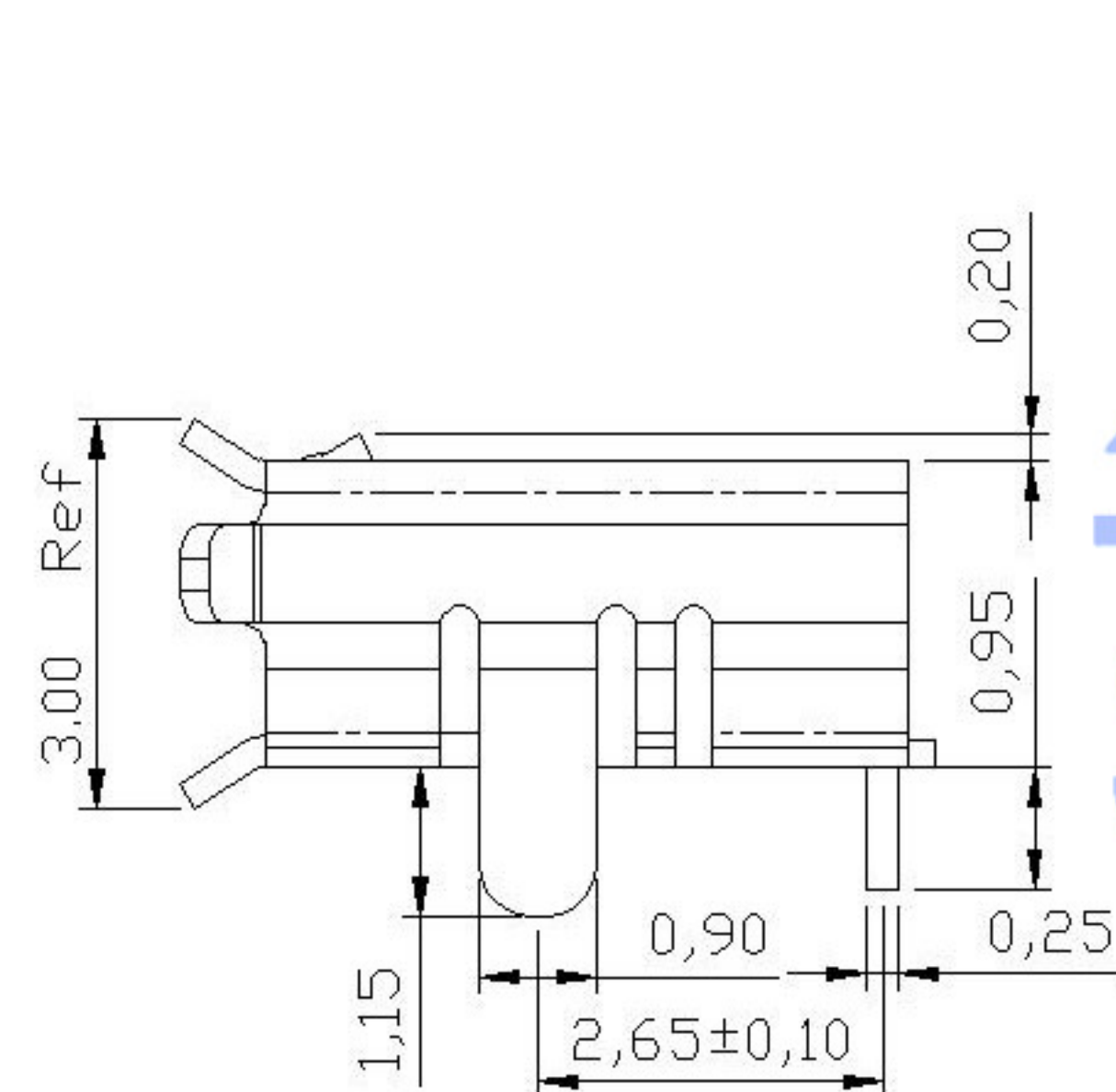


Scrolls (S)



Flat (F)



**Material**

Housing Material: LCP, UL94V-0, black

Contact Terminal: Copper Alloy

Metallic Shell: Brass

**Electrical**

Voltage Rating: 30 V AC

Current Rating: Signal (Pins 2,3,4): 1.0A, Power (Pins 1,5): 1.8A

Contact Resistance: 30mΩ Max

Insulation resistance: 1000MΩ Min

Dielectric withstanding voltage: 250V AC/Minute

**Mechanical**

Durability: 3,000 cycles

Mating Force: 35N (3.57Kgf) Max

Unmating Force: 8N (0.82Kgf) Min.

U254-05XX-4BH23 -X-2-B

1:Au 1U"  
6:Au 30U"  
T:TIN  
N:NICKEL  
B:Brass  
2:Without  
S:Scrolls F:Flat  
B:BLACK W:WHITE  
1:PBT  
2:PA6T  
3:PA9T  
4:LCP

MARK	DESCRIPTION	DATE	REVISED	APPROVED	UNSPECIFIED TOLERANCES	DSND	DATE	SCALE: N/A	MODEL TYPE: MICRO USB		
△X					ANGLAR ±5°	DWN	DATE	VIEW:	PART NO.: U251-05XX-4BH23		
△X					L ≤ 4 ±0.2	CHKD	DATE	UNIT: mm	DWG NO.: U254-05XX-4BH23-X2B		
△X					4 < L ≤ 16 ±0.3	APPD	DATE	SIZE: A4			
					16 < L ≤ 63 ±0.4						
					L > 63 ±0.5						
REVISIONS						XKB INDUSTRIAL PRECISION CO.,LIMITED			WEIGHT 1.0g	SHEET 1/1	REVISION A0
www.xk-dg.cn www.1k0k.com www.1k0k.cn											