

金属化聚酯薄膜交流电容器（250V 安全膜）

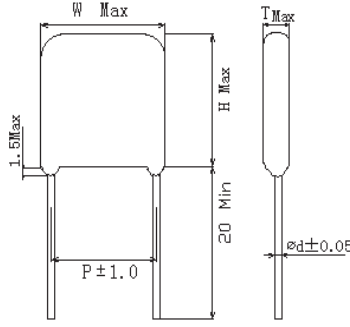
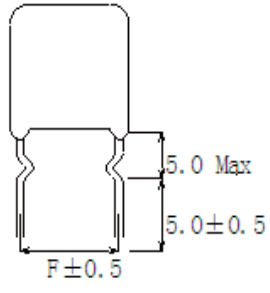
Metallized polyester film A.C. capacitor (250V Safety film)

特点 / Features

- ◆ 体积小，重量轻。
- ◆ 采用阻燃性环氧树脂（UL94 V-0认证），最适合用于电源电路抵制噪音。
- ★ Very small size .
- ★ Ideal for use as interference suppression capacitors because a flame-retardant epoxy resin (UL94V-0 recognized resin)is used as an outer coating .

使用温度范围	Temp. Range	- 40~+105℃
额定电压	Rated Voltage	125V ac, 250V .ac
容量范围	Capacitance Range	125V ac 0.010~4.7μF(E-12) 250V.ac 0.010~1.0μF(E-12)
容量偏差	Capacitance Tolerance	125V.ac,±10% (K) ,±20%(M) 250V.ac,±10% (K)
损耗角正切	Dissipation Factor	0.01以下/or less(at 1kHz)
耐电压	Voltage proof	引脚间 125V.ac : 288V.ac 1min. Between terminals 250V.ac : 575V.ac 1min.
		引脚包封间 125V.ac : 1000V.ac 1min. Between terminals and case 250V.ac : 1500V.ac 1min.
绝缘电阻	Insulation Resistance	C≦0.47μF 2,000MΩ以上/or more (at 500V.dc) C>0.47μF 3,000ΩF以上/or more (at 100V.dc)
高温负荷	Endurance	105℃ 施加 WV×120% V.ac 1000Hr △C/C ±7% 以内/with in tanδ 0.011以下/or less IR C≦0.47μF 1,000MΩ以上/or more C>0.47μF 1,500ΩF以上/or more
耐湿负荷	Damp heat	40℃、90~95%RH $WV\sqrt{2}$ 1000Hr 施加 △C/C ±10% 以内/with in tanδ 0.011以下/or less IR C≦0.47μF 1,000MΩ以上/or more C>0.47μF 1,500ΩF以上/or more

引线尺寸 / Lead dimension(mm)

形状 Style	直引线型 Straight lead type		引线弯曲型 Forming lead type		
					
Cap 范围 Cap range	125V. ac	103~475	F= 5.0	103~224	274~275
			F= 7.5	103~275	824~275
			F=10.0	274~275	824~275
			F=15.0		335~475
			F=22.5	335~475	
	250V. ac	103~105	F= 5.0	103~333	393~684
			F= 7.5	103~104	124~684
			F=10.0	393~104	124~684
			F=15.0		824~105
			F=22.5	824~105	

编带仕样的引线尺寸 (F)，请参照第27~29页的编带尺寸表。

For a pitch space(F) of the taping specification, refer to "Taping dimensions" on page 27~29.

外形尺寸/ Dimension(mm)

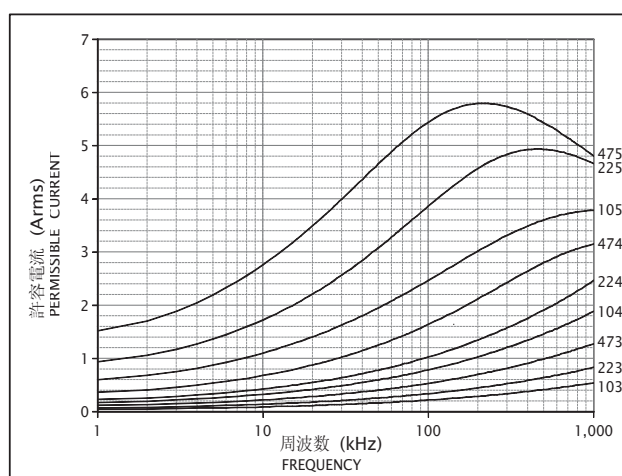
Cap CODE	Cap (μ F)	MML 125V. AC						标准包装数 Number of pieces for packing unit				
								编带 Taping	直脚品 Long		引线弯曲型 Formed	
		W	H	T	P	F	Φ d	Ammo	Bag	Box	Bag	Box
103	0.010	9.8	5.6	4.2	7.5	5.0/7.5	0.6	1,000	200	2,000	200	3,000
123	0.012	"	"	"	"	"	"	"	"	"	"	"
153	0.015	"	"	"	"	"	"	"	"	"	"	"
183	0.018	"	5.9	"	"	"	"	"	"	"	"	"
223	0.022	"	"	"	"	"	"	"	"	"	"	"
273	0.027	"	"	"	"	"	"	"	"	"	"	"
333	0.033	"	6.0	"	"	"	"	"	"	"	"	"
393	0.039	"	"	"	"	"	"	"	"	"	"	"
473	0.047	"	6.2	4.3	"	"	"	"	"	"	"	"
563	0.056	"	6.4	4.5	"	"	"	"	"	"	"	"
683	0.068	"	6.7	4.8	"	"	"	"	"	"	"	"
823	0.082	"	7.7	4.1	"	"	"	"	"	"	"	"
104	0.10	"	"	4.3	"	"	"	"	"	"	"	"
124	0.12	"	"	5.0	"	"	"	"	"	"	"	"
154	0.15	"	8.6	5.5	"	"	"	"	100	1,500	100	1,500
184	0.18	"	11.2	5.0	"	"	"	"	"	"	"	"
224	0.22	"	11.8	5.5	"	"	"	"	"	"	"	"
274	0.27	12.5	11.3	5.0	10.0	5.0/7.5/10.0	"	"	"	1,000	"	1,000
334	0.33	"	10.8	6.0	"	"	"	"	"	"	"	"
394	0.39	"	11.2	6.5	"	"	"	500	"	"	"	"
474	0.47	"	11.7	7.0	"	"	"	"	"	"	"	"
564	0.56	"	13.3	"	"	"	"	"	"	500	"	500
684	0.68	"	14.0	7.7	"	"	"	"	"	"	"	"
824	0.82	17.8	12.8	5.6	15.0	"	0.8	"	"	"	"	"
105	1.0	"	13.4	6.2	"	"	"	400	"	"	"	250
125	1.2	"	14.5	7.3	"	"	"	"	50	"	50	"
155	1.5	"	15.5	8.5	"	"	"	300	"	400	"	"
185	1.8	"	16.5	9.3	"	"	"	"	"	250	"	"
225	2.2	"	17.5	10.3	"	"	"	200	"	"	"	"
275	2.7	"	18.5	11.5	"	"	"	"	"	200	"	200
335	3.3	25.5	18.5	9.3	22.5	15.0	"	"	"	"	"	"
395	3.9	"	19.5	10.3	"	"	"	"	"	"	"	"
475	4.7	"	20.7	11.3	"	"	"	"	"	"	"	"

外形尺寸 / Dimension(mm)

Cap CODE	Cap (μF)	MML 250V. AC						标准包装数 Number of pieces for packing unit				
								编带 Taping		直脚品 Long		引线弯曲型 Formed
		W	H	T	P	F	Φd	Ammo	Bag	Box	Bag	Box
103	0.010	9.8	7.3	4.2	7.5	5.0/7.5	0.6	1,000	200	2,000	200	2,000
123	0.012	"	"	"	"	"	"	"	"	"	"	"
153	0.015	"	7.5	"	"	"	"	"	"	"	"	"
183	0.018	"	"	"	"	"	"	"	"	"	"	"
223	0.022	"	7.7	4.5	"	"	"	"	"	"	"	"
273	0.027	"	8.0	4.8	"	"	"	"	"	"	"	"
333	0.033	"	8.2	5.2	"	"	"	"	"	"	"	"
393	0.039	12.5	7.6	4.5	10.0	5.0/7.5/10.0	"	"	"	1,600	"	1,600
473	0.047	"	7.8	4.7	"	"	"	"	"	"	"	"
563	0.056	"	9.5	4.8	"	"	"	"	"	"	"	"
683	0.068	"	9.8	5.2	"	"	"	"	100	1,500	100	1,500
823	0.082	"	10.3	5.3	"	"	"	"	"	"	"	"
104	0.10	"	11.7	5.2	"	"	"	"	"	1,000	"	1,000
124	0.12	17.8	10.0	5.0	15.0	"	"	500	"	"	"	"
154	0.15	"	11.3	4.8	"	"	"	"	"	"	"	"
184	0.18	"	11.5	5.5	"	"	"	"	"	"	"	"
224	0.22	"	12.0	6.0	"	"	"	"	"	500	"	500
274	0.27	"	12.7	6.3	"	"	"	400	"	"	"	"
334	0.33	"	13.2	6.8	"	"	0.8	"	"	"	"	"
394	0.39	"	14.0	7.3	"	"	"	"	50	"	50	"
474	0.47	"	15.5	"	"	"	"	"	"	"	"	"
564	0.56	"	16.3	8.5	"	"	"	300	"	250	"	250
684	0.68	"	17.3	9.3	"	"	"	"	"	"	"	"
824	0.82	25.5	"	"	22.5	15.0/22.5	"	"	"	"	"	"
105	1.0	"	18.2	10.2	"	"	"	"	"	200	"	200

相对频率数允许的电流特性 / Characteristics of permissible current to frequency

MML 125V



MML 250V

