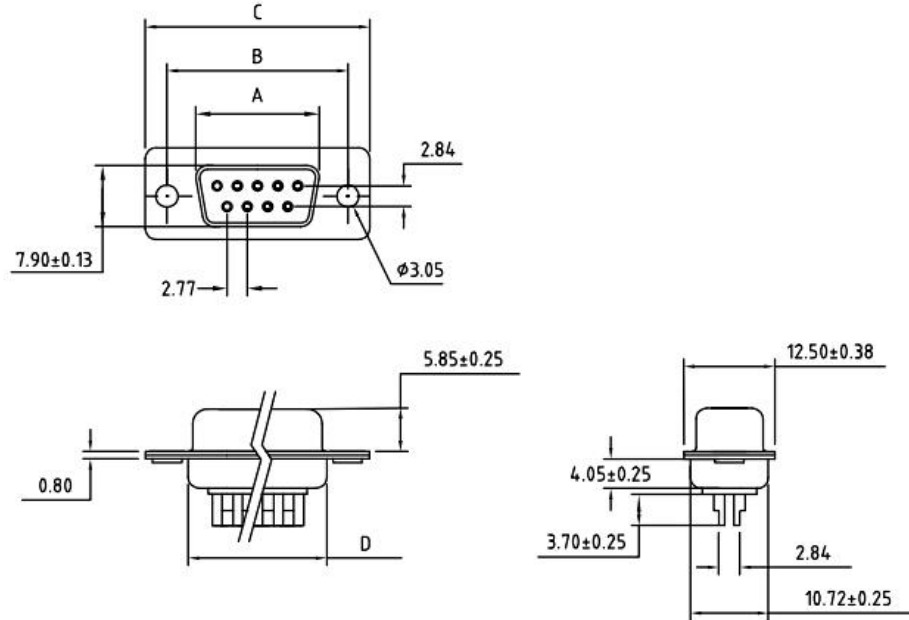


ROHS COMPLIANT

REV.	DESCRIPTION	DATE	ECN NO.
01	NEW DESIGN	2019/03/30	-



No. of Contact	A ± 0.25 ± 0.10	B ± 0.13 ± 0.05	C ± 0.38 ± 0.15	D ± 0.25 ± 0.10
09	16.30	25.00	30.80	19.28
15	24.80	33.30	39.20	27.51
25	38.30	47.04	53.04	41.28
37	54.80	63.50	69.40	57.71

REMARKS:

MATERIALS AND FINISH

SHELL : STEEL MATERIAL, FRONT NICKEL FINISHED
 BACK SHELL TIN FINISHED
 INSULATOR : PBT THERMOPLASTIC, 30% GLASS
 FILLED, UL 94V-0 RATED
 CONTACT MATERIAL : BRASS
 CONTACT FINISH : FULL GOLD FLASH

ELECTRICAL CHARACTERISTICS

CONTACT CURRENT RATING : 5.0 AMPS
 CONTACT RESISTANCE : 30 MILLIOHMS MAX.
 DIELECTRIC WITHSTANDING VOLTAGE : 1000 V AC MIN.
 INSULATION RESISTANCE : 5000 MEGAOHMS MIN.
 TEMPERATURE RATING : -55°C ~ +105°C

DRAWN:	JEFF.ZHOU	2019.03.30	东莞市赢海电子有限公司
CHECKED:	CHENG.LIU	2019.03.30	
APPROVED:	JINGUO.YANG	2019.03.30	
	Sheet 1 of 1	Code 000	TITLE: D-SUB Solder Type(FEMALE)
Dimensions in mm(inches)		Scale 1:1	
TOLERANCE UNLESS SPECIFIED: .XX ± 0.13		Angles:±2°	REV. 01 Part No: GDM09F-180°