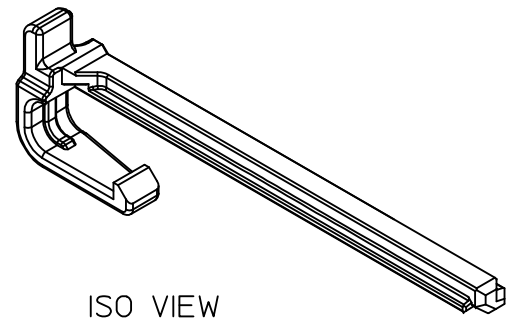
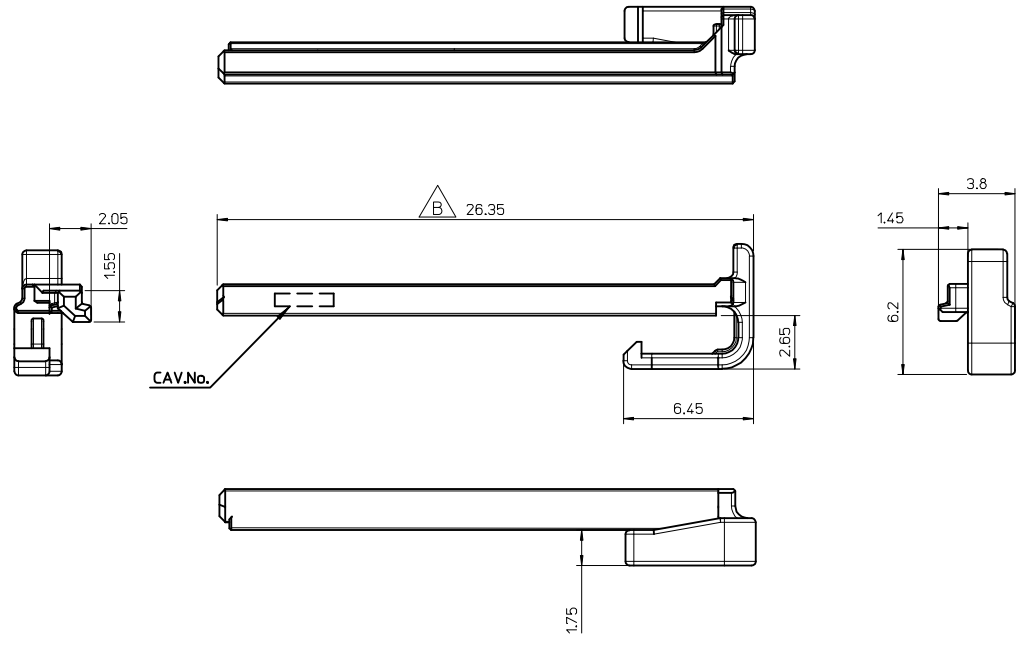


10 9 8 7 6 5 4 3 2 1

GENERAL TOLERANCE									USED ON
10 MAX	30 MAX	50 MAX	70 MAX	100 MAX	120 MAX	250 MAX	250 OVR	ANGLE	ECCENT
±0.15	±0.20	±0.30	±0.40	±0.50	±0.75	±0.90	±1.4	±0.5°	0.1



ISO VIEW



- NOTES:
1. MATERIAL: POLYESTER(PBT), GLASS FILLED, UL94V-0
COLOR: GRAY
 2. APPLICABLE HOUSING: 560123-120*
 3. GENERAL TOLERANCES: SEE TABLE
 4. EVL AND RoHS COMPLIANT
 5. PRODUCT SPECIFICATION: PS-560123-001
 6. PACKING SPECIFICATION: PK-560125-001

ORDER NO	MATERIAL NO
560125-1200	5601251200

REVISED EC NO: KTR2017-0021 DRWKS:JLEE06 2016/10/26 CHKD: APPR: JHJANG 2016/11/01	QUALITY SYMBOLS	GENERAL TOLERANCES (UNLESS SPECIFIED)	DIMENSION STYLE	SCALE	DESIGN UNITS	THIRD ANGLE PROJECTION																		
	$F_A=0$ $F_C=0$ $F_P=0$	<table border="1"> <thead> <tr> <th></th> <th>mm</th> <th>INCH</th> </tr> </thead> <tbody> <tr> <td>4 PLACES</td> <td>± ---</td> <td>± ---</td> </tr> <tr> <td>3 PLACES</td> <td>± ---</td> <td>± ---</td> </tr> <tr> <td>2 PLACES</td> <td>± ---</td> <td>± ---</td> </tr> <tr> <td>1 PLACE</td> <td>± ---</td> <td>± ---</td> </tr> <tr> <td>0 PLACE</td> <td>± ---</td> <td>± ---</td> </tr> </tbody> </table>		mm	INCH	4 PLACES	± ---	± ---	3 PLACES	± ---	± ---	2 PLACES	± ---	± ---	1 PLACE	± ---	± ---	0 PLACE	± ---	± ---	MM ONLY	4:1	METRIC	
		mm	INCH																					
	4 PLACES	± ---	± ---																					
3 PLACES	± ---	± ---																						
2 PLACES	± ---	± ---																						
1 PLACE	± ---	± ---																						
0 PLACE	± ---	± ---																						
DRAWN BY: SJLEE06 DATE: 2015/10/27 CHECKED BY: DATE: APPROVED BY: JYCHOI DATE: 2016/01/27	DRAFT WHERE APPLICABLE MUST REMAIN WITHIN DIMENSIONS	SEE TABLE	TITLE: NEW 2.0 PITCH W/B CONN REC. 12WAY ISL DURACLIK ISL SERIES	MATERIAL NO. SD-560125-007	DOCUMENT NO. SD-560125-007	SHEET NO. 1 OF 1																		
SIZE: A3 THIS DRAWING CONTAINS INFORMATION THAT IS PROPRIETARY TO MOLEX INCORPORATED AND SHOULD NOT BE USED WITHOUT WRITTEN PERMISSION																								

9 8 7 6 5 4 3 2 1