



# Approval Sheet

## Customer Information

Customer			
Part Name			
Part No.			
Model No.			
<b>COMPANY</b>	<b>PURCHASE</b>	<b>R&amp;D</b>	




## Vendor Information

Name	SFI Electronics Technology Inc.
Part Name	Chip Surge Protection Device (CSPD) Series
Part No.	Super High Voltage (SHV) Device – SFI0806SV241-201A
Lot No.	

## SFI Electronics Technology Inc.

ADDRESS : No.6, Lane 340, Shan-Ying Road, Guishan, Tao Yuan, Taiwan

TEL : 886-3-3506998 FAX : 886-3-3507689 E-mail : sfi@sfi.com.tw

Quality Control	Document Control	Business Issue	
 <p>ISO 9001:2008 ISO 14001:2004 ISO/TS 16949:2009 Management System www.tuv.com ID 110008833</p> 	REV : H	Prepared	Check
			

Part No.	<b>SFI0806SV241-201A</b>	Document No.	<b>AS-RD0806MV112-LF</b>	REV.	<b>H</b>
<a href="http://www.sfi.com.tw">http://www.sfi.com.tw</a> E-mail : <a href="mailto:sfi@sfi.com.tw">sfi@sfi.com.tw</a> TEL : 886-3-3506998 FAX : 886-3-3507689 - 1 -					



### **PART NO. SFI0806SV241-201A**

#### 1.1 Technology Data

	Symbol	Value	Unit
Maximum allowable continuous AC voltage at 50-60Hz	$V_{RMS}$	150	V
Maximum allowable continuous DC voltage	$V_{DC}$	200	V
Breakdown voltage	$V_B$	240(±10%)	V
Maximum allowable clamping voltage	$V_C$	395	V
Maximum peak current (8/20µs) (1 time)	$I_{Peak}$	200	A
Maximum peak current (8/20µs) (15 time)	$I_{Peak}$	100	A

#### 1.2 Reference Data

Typical capacitance value measured at 1KHz	C		95	pF
Response time	$T_{rise}$	<	1	ns
Non-linear coefficient	$\alpha$	>	15	
Leakage current at $V_B \times 80\%$ (at initial state)	$I_{VB}$	<	50	µA
Leakage current at $V_B \times 80\%$ (after surge test)	$I_{VBA}$	<	200	µA
Operation ambient temperature	$T_{OPT}$		-40~+125	°C
Storage temperature range	$T_{STG}$		-40~+150	°C

#### 1.3 Other Data

Body				Nano special ceramic
End termination				Ag/Ni/Sn
Packaging				Reel
Complies with standard				IEC61000-4-5 UL 1449, File No. E334409-VZCA2
Complies with RoHs standard				Yes
Lead content		<	1000	ppm
Marking				None

#### Notes :

- \* 1 The breakdown voltage was measured at 1mA.
- \* 2 The clamping voltage was measured at 8/20µs standard current, 0806(1A).
- \* 3 The peak current was tested at 8/20µs waveform.
- \* 4 The capacitance value only for customer reference, it's not formal specification.
- \* 5 The components shall be employed within 1 year, in the nitrogen condition.

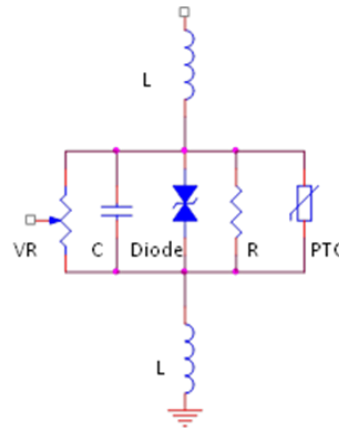
Part No.	<b>SFI0806SV241-201A</b>	Document No.	<b>AS-RD0806MV112-LF</b>	REV.	<b>H</b>
<a href="http://www.sfi.com.tw">http://www.sfi.com.tw</a> E-mail : <a href="mailto:sfi@sfi.com.tw">sfi@sfi.com.tw</a> TEL : 886-3-3506998    FAX : 886-3-3507689    - 2 -					

### 1.4 Features of SHV Series

1. RoHS compliant
2. SMD type body size 0806
3. Meet IEC61000-4-5 and UL1449 standards
4. Bidirectional and symmetrical V/I characteristics
5. Large withstanding surge current capability : 200A (@8/20μs)
6. Operating temperature range : -40~+125°C
7. Multi-Layers construction provides higher power dissipation

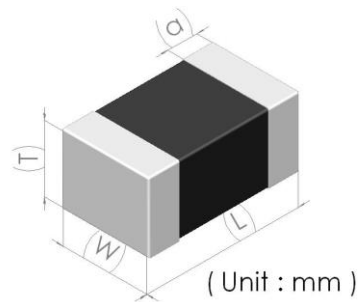
### Equivalent Circuit

- ☆L      **Body Inductance**
- ☆C      **Device Capacitance**
- ☆VR     **Voltage Variable Resistor**
- ☆R      **Insulation Resistor**
- ☆Diode **Voltage Clamped**
- ☆PTC    **for Low Leakage Current**

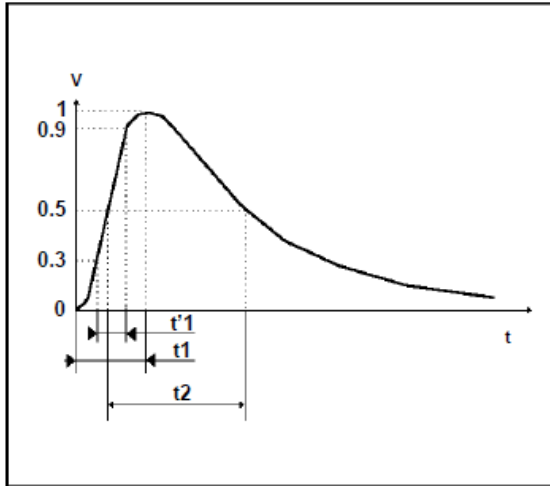


### 2. Size

Model	0806 Series
Length(L)	2.20±0.20
Width(W)	1.70±0.20
Thickness(T)	1.80 max.
Termination(a)	0.40 +0.15/-0.20



### 3. Surge Wave Form



#### IEC61000-4-5 Standards

SEVERITY LEVEL	t1 (=1.67t'1)	t2
1	10μs	1000μs
2	8μs	20μs

8/20μs waveform current

### 4. Environmental Reliability Test

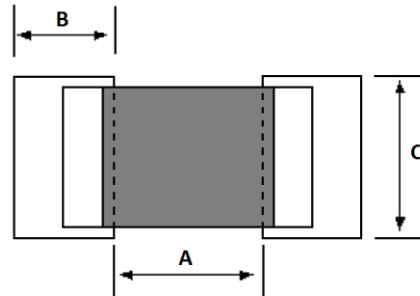
Item	Requirement	Test condition
High Temperature Storage	1. Breakdown voltage change : within ±10% 2. No mechanical damage	1. Temperature : 150±2°C 2. Time : 1000±2 hours 3. Test after placing in ambient temperature for 24 hours.
Low Temperature Storage	1. Breakdown voltage change : within ±10% 2. No mechanical damage	1. Temperature : -40±2°C 2. Time : 1000±2 hours 3. Test after placing in ambient temperature for 24 hours.
Temperature Cycle	1. Breakdown voltage change : within ±10% 2. No mechanical damage	1. Step 1 : -40±3°C ; time : 30±3min 2. Step 2 : 25°C ; time : 1 hour 3. Step 3 : 125±3°C ; time : 30±3min 4. Step 4 : 25°C ; time : 1 hour 5. Number of cycle : 5 times 6. Test after placing in ambient temperature for 24 hours.
High Temperature Load	1. Breakdown voltage change : within ±10% 2. No mechanical damage	1. Temperature : 125±2°C 2. Rated working voltage applied 3. Time : 1000±2 hours 4. Test after placing in ambient temperature for 24 hours.
Damp Heat Load/ Humidity Load	1. Breakdown voltage change : within ±10% 2. No mechanical damage	1. Temperature : 40±2°C 2. Humidity : 90~95% RH 3. Rated working voltage applied 4. Time : 500±2 hours 5. Test after placing in ambient temperature for 24 hours.

## 5. Soldering Recommendations

### 5.1 Recommended solder pad layout

(Unit : mm)

	A	B	C
0806	1.2~1.6	0.8~1.2	1.6~2.2

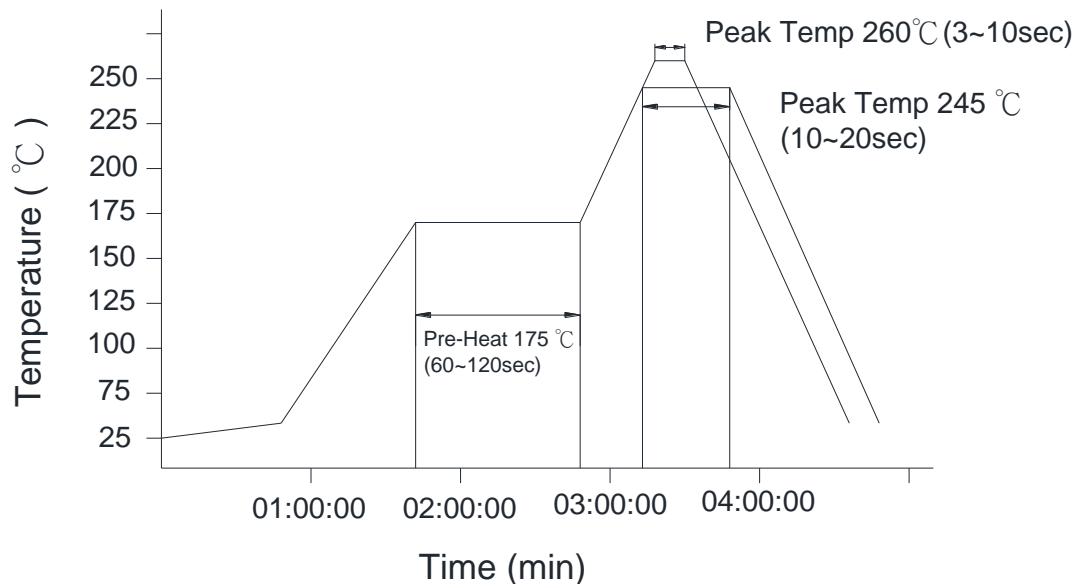


### 5.2 The SIR test of the solder paste shall be done (Based on JIS-Z-3284)

### 5.3 Steel plate and foot distance printing

Foot distance printing (mm)	Steel plate thickness (mm)
$\geq 0.65$ mm	0.18mm
0.50~0.65mm	0.15mm
0.40~0.50mm	0.12mm
$\leq 0.40$ mm	0.10mm

### 5.4 The IR reflow and temperature of soldering for Pb free process



#### ☆ IR reflow Pb free process suggestion profile

- (1) The solder recommend is Sn96.5/Ag3.5, and thickness recommend as shown in table 5.3
- (2) Ramp-up rate (217°C to peak) +3°C/second max.
- (3) Temp. maintain at 175±25°C 180 seconds max.

Part No.	<b>SFI0806SV241-201A</b>	Document No.	<b>AS-RD0806MV112-LF</b>	REV.	<b>H</b>
<a href="http://www.sfi.com.tw">http://www.sfi.com.tw</a> E-mail : <a href="mailto:sfi@sfi.com.tw">sfi@sfi.com.tw</a> TEL : 886-3-3506998 FAX : 886-3-3507689 - 5 -					



- (4) Temp. maintain above 217°C 60~150 seconds
- (5) Peak temperature range 245 +20°C/-10°C within 5°C of actually peak temperature ( $t_p$ ) 10~20 seconds
- (6) Ramp down rate -6°C/second max.  
※ Perform adequate test in advance as the reflow temperature profile will vary according to the conditions of the manufacturing process and the specification of the reflow furnace.

### 5.5 Resistance to soldering heat and high temperature resistance : 260°C, 10sec 3 times

#### 5.6 Hand soldering

In hand soldering of the SHV devices, large temperature gradient between preheated the SHV devices and the tip of soldering iron may cause electrical failures and mechanical damages such as cracking or breaking of the devices. The soldering shall be carefully controlled and carried out, so that the temperature gradient is kept minimum with following recommended conditions for hand soldering.

##### 5.6.1 Recommended soldering condition 1 (with preheating)

- (1) Solder  
**0.12~0.18mm** thread solder (Sn96.5:Ag3.5) with soldering flux in the core, and rosin-based non-activated flux is recommended.
- (2) Preheating  
The SHV devices shall be preheated so that temperature gradient between the devices and the tip of soldering iron is 150°C or below.
- (3) Soldering iron  
Rated power of 20W max. with 3mm soldering tip in diameter.  
Temperature of soldering iron tip 380°C max., 3~5sec (The required amount of solder shall be melted in advance on the soldering tip.)
- (4) Cooling  
After soldering, the SHV devices shall be cooled gradually at room ambient temperature.

##### 5.6.2 Recommended soldering condition 2 (without preheating)

- (1) Solder iron tip shall not directly touch to ceramic dielectrics.
- (2) Solder iron tip shall be fully preheated before soldering while soldering iron tip to the external electrode of SHV devices.

#### 5.7 Post soldering cleaning

5.7.1 Residues of corrosive soldering fluxes on the PC board after cleaning may greatly have influences on the electrical characteristic and the reliability (such as humidity resistance) of the SHV devices which have been mounted on the board. It shall be confirmed that the characteristic and the reliability of the devices are not affected by the applied cleaning conditions.

5.7.2 When an ultrasonic cleaning is applied to the mounted SHV devices on PC boards. Following conditions are recommended for preventing failures or damages of the devices due to the large vibration energy and the resonance conditions caused by the ultrasonic waves.

- (1) Frequency 29MHz max.
- (2) Radiated power 20W/liter max.
- (3) Period 5minuets max.

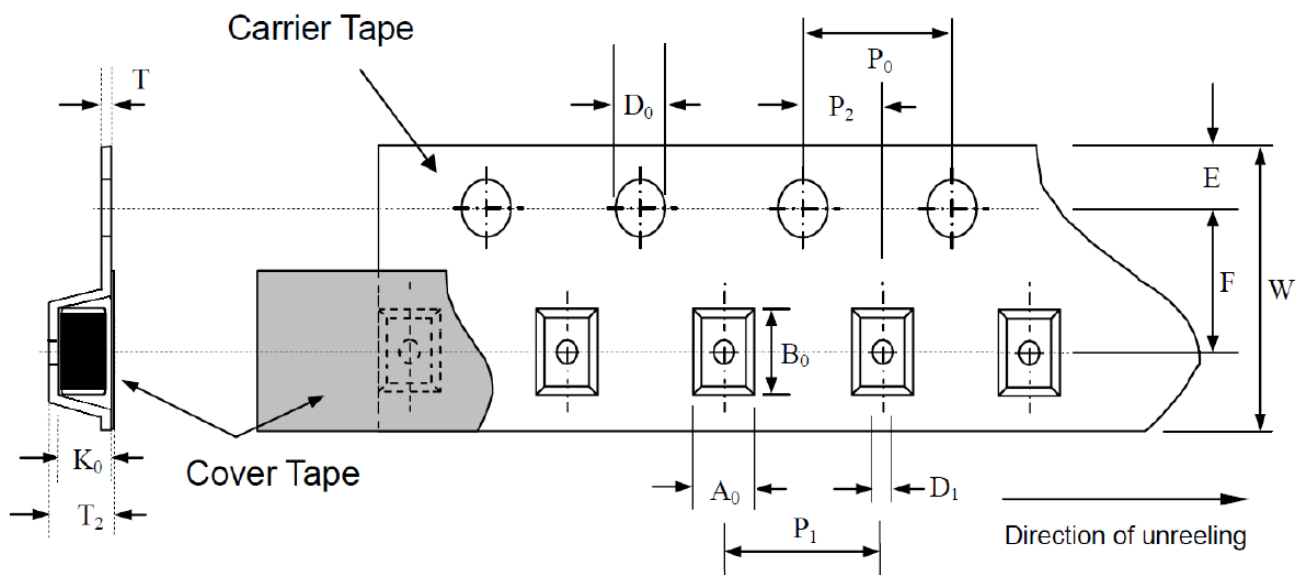
Part No.	<b>SFI0806SV241-201A</b>	Document No.	<b>AS-RD0806MV112-LF</b>	REV.	<b>H</b>
<a href="http://www.sfi.com.tw">http://www.sfi.com.tw</a> E-mail : <a href="mailto:sfi@sfi.com.tw">sfi@sfi.com.tw</a> TEL : 886-3-3506998 FAX : 886-3-3507689 - 6 -					

## 6. Packaging Specification

6.1 Carrier tape and transparent cover tape should be heat-sealed to carry the products, and the reel should be used to reel the carrier tape.

6.2 The adhesion of the heat-sealed cover tape shall be 40 +20/-15 grams.

6.3 Both the head and the end portion of the taping shall be empty for reel package and SMT auto-pickup machine. And a normal paper tape shall be connected in the head of taping for the operator to handle.

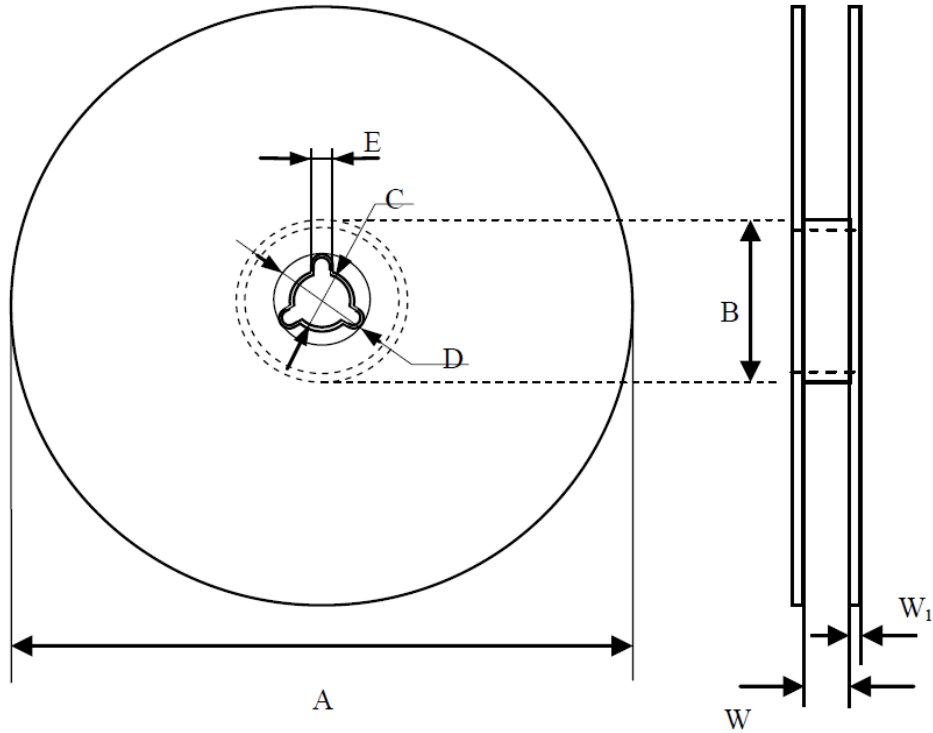


(Unit : mm)

Symbol	$A_0$ $\pm 0.10$	$B_0$ $\pm 0.10$	$K_0$ $\pm 0.10$	$T$ $\pm 0.05$	$T_2$ $\pm 0.05$	$D_0$ $+0.10$ $-0.00$	$D_1$ $\pm 0.05$	$P_1$ $\pm 0.10$	$P_2$ $\pm 0.05$	$P_0$ $\pm 0.05$	$W$ $\pm 0.20$	$E$ $\pm 0.10$	$F$ $\pm 0.05$
0806	2.00	2.50	1.90	0.22	2.12	1.50	1.00	4.00	2.00	4.00	8.00	1.75	3.50

Part No.	<b>SFI0806SV241-201A</b>	Document No.	<b>AS-RD0806MV112-LF</b>	REV.	<b>H</b>
<a href="http://www.sfi.com.tw">http://www.sfi.com.tw</a> E-mail : <a href="mailto:sfi@sfi.com.tw">sfi@sfi.com.tw</a> TEL : 886-3-3506998 FAX : 886-3-3507689 -7-					

## 7. Reel Dimension



(Unit : mm)

Symbol	A	B	C	D	E	W	W <sub>1</sub>
0806	178.0±1.0	60.0±0.5	13.0±0.2	21.0±0.2	2.0±0.5	9.0±0.5	1.5±0.1

## 8. Standard Packaging

Size	0806
Pcs	2000

Part No.	<b>SFI0806SV241-201A</b>	Document No.	<b>AS-RD0806MV112-LF</b>	REV.	<b>H</b>
<a href="http://www.sfi.com.tw">http://www.sfi.com.tw</a> E-mail : <a href="mailto:sfi@sfi.com.tw">sfi@sfi.com.tw</a> TEL : 886-3-3506998 FAX : 886-3-3507689 - 8 -					