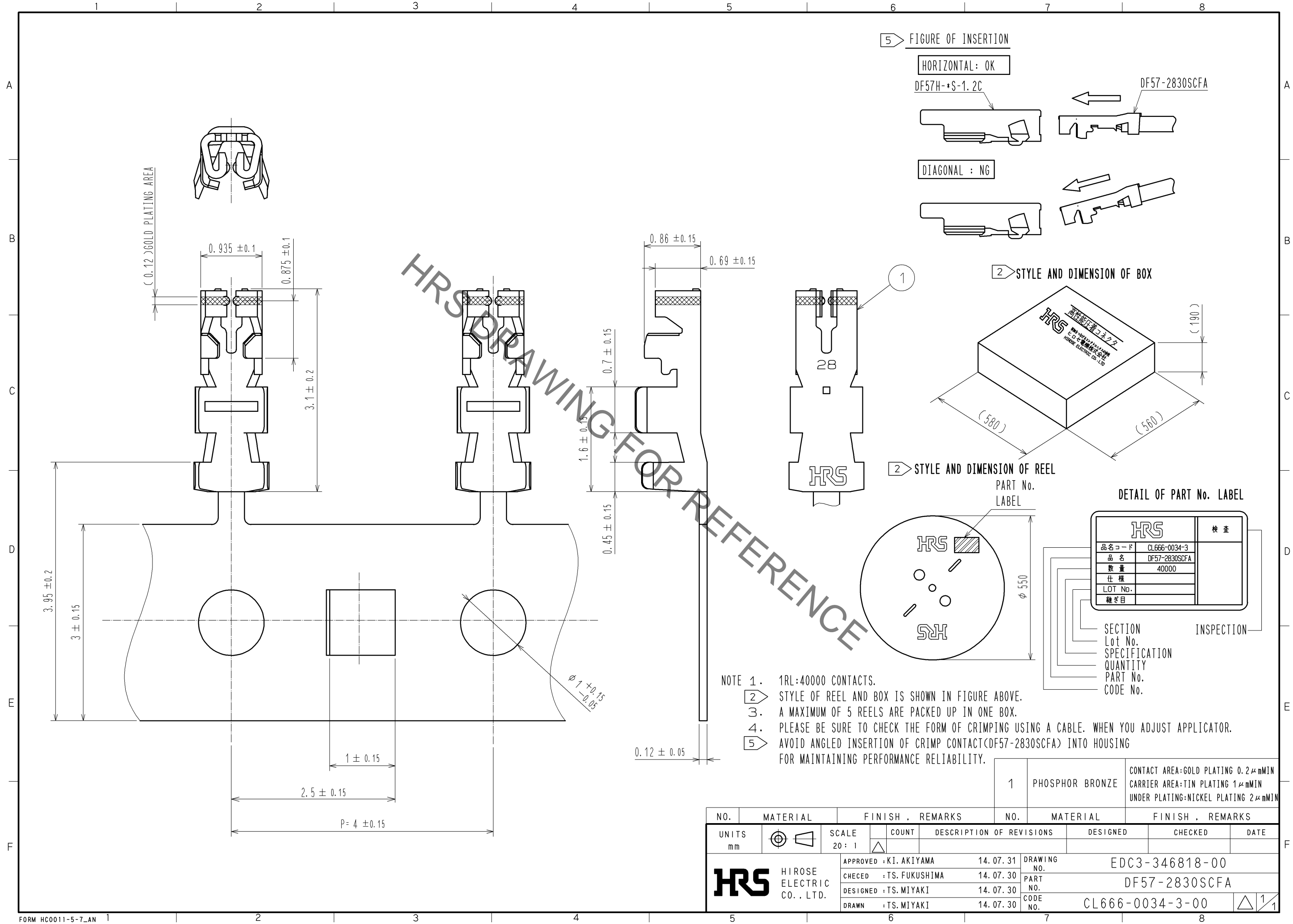


May.1.2020 Copyright 2020 HIROSE ELECTRIC CO., LTD. All Rights Reserved.  
In case of consideration for using Automotive equipment / device which demand high reliability, kindly contact our sales window correspondents.



HRS DRAWING FOR REFERENCE

NO.	MATERIAL	FINISH . REMARKS	NO.	MATERIAL	FINISH . REMARKS
1	PHOSPHOR BRONZE	CONTACT AREA:GOLD PLATING 0.2μmMIN CARRIER AREA:TIN PLATING 1μmMIN UNDER PLATING:NICKEL PLATING 2μmMIN			

UNITS	SCALE	COUNT	DESCRIPTION OF REVISIONS	DESIGNED	CHECKED	DATE
mm	20:1	△				
APPROVED : KI. AKIYAMA			14.07.31	DRAWING NO. EDC3-346818-00		
CHECKED : TS. FUKUSHIMA			14.07.30	PART NO. DF57-2830SCFA		
DESIGNED : TS. MIYAKI			14.07.30	CODE NO. CL666-0034-3-00		
DRAWN : TS. MIYAKI			14.07.30	△ 1/1		