

MSH-C-08005

SPECIFICATIONS
FOR LITHIUM BATTERY

CR2450 MAS CH O

maxell

Maxell (Shanghai) Trading Co., Ltd.

Maxell (Shanghai) Trading Co., Ltd.

SPECIFICATIONS
FOR LITHIUM BATTERY

CR2450 MAS CH O

<p><u>APPROVED SIGNATURE</u> :</p> <p><u>YOUR NAME (Please Print)</u> :</p> <p><u>TITLE</u> :</p> <p><u>DATE</u> :</p>
--

Approved : 山本 昭史

Date : February 23, 2016

.. In order to confirm your acceptance of this specification, please return one copy signed by an appropriate authority.

.. Notice! Any order placed for the product's herein specified, after you have received this documents, will be taken as your acceptance of this specification.

1. Scope

These specifications are applicable to the manganese dioxide lithium batteries supplied by Maxell (Shanghai) Trading Co., Ltd.

2. Applicable Battery Type

Manganese dioxide Lithium Battery

3. Battery Type and Performance

3.1	Type	CR2450
3.2	Nominal voltage	3.0 volts
3.3	Nominal discharge capacity	600mAh(Load:15k ohm, End voltage 2.0V)
3.4	Outside dimensions	As per drawing attached
3.5	Standard weight	6.3g
3.6	Guarantee	1 year (at the temperature of less than 25 deg.C and the relative humidity of less than 75%RH.)
3.7	Characteristics	
3.7.1	Open circuit voltage	Will satisfy the figure in Table 1.
3.7.2	Closed circuit voltage	Ditto
3.7.3	Service life	Ditto
3.7.4	Electrolyte leakage resistance	Ditto
3.8	Appearance	Will be free from flaw, stain, deformation, uneven tone, electrolyte leakage and other defects which impair the value of the commodity.
3.9	Brand	The brand name of " Maxell Asia Product " is used.
3.10	Symbol of manufactured month and year	Manufactured month and year will be shown on the surface of the battery. Example : 61 (Manufactured in January, 2016) 62 (Manufactured in February, 2016) 60 (Manufactured in October, 2016) 6Y (Manufactured in Novcmber, 2016) 7Z (Manufactured in December, 2017)

Table 1

1. Open circuit voltage	
Initial	3.0 to 3.4 V
After 12 months storage	3.0 to 3.4 V
2. Service life	
Load resistance	7,500 ohms
Discharge method	24 hours / day
End voltage	2.0 V
Minimum duration (Initial)	1500 hours
Minimum duration (After 12 months storage)	1470 hours
3. Electrolyte leakage resistance	
No electrolyte leakage will take place during a term of the test of Item 1 to Item 3 in table 1.	

Initial test: A test commencing within one month after delivery.

Stored test: A test conducted after 12 months storage under the specified conditions after delivery.

4. Test

4.1 Temperature and Humidity.

4.1.1 Measurement conditions

Unless otherwise specified, the measurement will be executed at temperature of 20 ± 2 deg. C and at relative humidity of $65 \pm 20\%$.

4.1.2 Storage conditions

Unless otherwise specified, the storage conditions for sample batteries will be at the temperature of less than 25 deg. C and at relative humidity of less than 75%.

The test after storage will be commenced within 1 month after storage.

4.2. Measuring instruments and devices

4.2.1 Voltage measurement will be carried out using the DC voltmeter which can measure from 0V to 4V. The precision of the voltmeter will be ± 1 mV or more precise and the input impedance will be more than 10M ohm.

4.2.2 Load resistance will include all the resistance of the external circuit and its tolerance will be within 0.5%.

4.2.3 Dimension measurement will be carried out using the caliper whose measuring range is from 0mm to 150mm and precision is 5/100mm or more precise.

4.3. Test methods (Testing procedure)

4.3.1 Dimensions

Use the measuring instrument as specified in the Item 4.2.3.

4.3.2 Appearance

Examination will be carried out by visual inspection.

4.3.3 Open circuit voltage

Measure the voltage between both terminals using the voltmeter specified in the Item 4.2.1.

4.3.4 Service life

Leave the battery samples at the temperature of 20 ± 5 deg. C for above 12 hours, and discharge them continuously through the discharge load specified in Table 1. Carry out the discharge test until the discharge voltage falls down to not less than the final voltage specified in Table 1, and the service life will be the discharge time while the discharge voltage keeps above the specified final voltage.

4.3.5 Electrolyte leakage resistance

Check the state of the leakage by the naked eye 30 cm away from them under the light of the 40 watt fluorescent lamp one meter above.

5. Limited warranty

- (1) We certify that the battery shall comply with the specification defined in this document for 1 year from manufacture date code. This product, if defective in materials or workmanship, will be replaced free of charge, when returned to Maxell (Shanghai) Trading Co., Ltd.
Replacement is the sole obligation under this warranty. This warranty expressly excludes incidental and consequential damages caused by use of, or inability to use, this product.
- (2) When customer does any work on the battery except instructions in this specifications, for example wire is soldered to the tab or battery surface directly, Maxell (Shanghai) Trading Co., Ltd. can not warrant any battery performance including safety and the customer shall undertake the responsibility of all damage caused by this battery.
- (3) Confirm and assure the matching and reliability of batteries on actual set or unit application with customer's responsibility.
- (4) In the case of the following situation, it will be assumed that Maxell (Shanghai) Trading Co., Ltd. does not take responsibility
 - (i) When the appropriate handling, use, installation, or examination of batteries were not carried out.
 - (ii) When the instructions, attentions or warnings mentioned in this specification were not followed.
 - (iii) When the rational instructions or advice of Maxell (Shanghai) Trading Co., Ltd. were not followed.
 - (iv) In case that the used condition of battery was not informed in advance.
 - (v) In case that the battery was applied for other application or different condition informed in advance.

Safety and better use Instructions

This battery contains lithium, organic solvents, and other combustible materials. For this reason, improper handling of the battery could lead to distortion, leakage*, overheating, explosion, or fire, causing bodily injury or equipment trouble. Please observe the following instructions to prevent accidents.

(* Leakage is defined as the unintentional escape of a liquid from a battery.)



Handling

- **Never swallow.**

Always keep the battery out of the reach of infants and young children to prevent it from being swallowed. If swallowed, consult a physician immediately.

- **Never charge.**

The battery is not designed to be charged by any other electrical source. Charging could generate gas and internal short-circuiting, leading to distortion, leakage, overheating, explosion, or fire.

- **Never heat.**

Heating the battery to more than 100 deg.C* could increase the internal pressure, causing distortion, leakage, overheating, explosion, or fire. (* Consult Maxell regarding heat resistant coin type lithium manganese dioxide batteries.)

- **Never expose to open flames.**

Exposing to flames could cause the lithium metal to melt, causing the battery to catch on fire and explode .

- **Never disassemble the battery.**

Do not disassemble the battery, because the separator or gasket could be damaged, leading to distortion, leakage, overheating, explosion or fire.

- **Never reverse the positive and negative terminals when mounting.**

Improper mounting of the battery could lead to short-circuiting, charging or forced-discharging. This could cause distortion, leakage, overheating, explosion, or fire.

- **Never short-circuit the battery.**

Do not allow the positive and negative terminals to short-circuit. Never carry or store the battery with metal objects such as a necklace or a hairpin. Do not take multiple batteries out of the package and pile or mix them when storing. Otherwise, this could lead to distortion, leakage, overheating, explosion, or fire.

- **Never weld the terminals or weld a wire to the body of the battery directly.**

The heat of welding or soldering could cause the lithium to melt, or cause damage to the insulating material in the battery. This could cause distortion, leakage, overheating, explosion, or fire. When soldering the battery directly to equipment, solder only the tabs or leads. Even then, the temperature of the soldering iron must be below 350 deg. C and the soldering time less than 5 seconds. Do not use soldering bath, because the circuit board with battery attached could stop moving or the battery could drop into the bath. Moreover do not use excessive solder, because the solder could flow to unwanted portions of the board, leading to a short-circuit or charging of the battery.

- **Never use different batteries together.**

Using different batteries together, i.e. different type or used and new or different manufacturer could cause distortion, leakage, overheating, explosion, or fire because of the differences in battery property. If using two or more batteries connected in series or in parallel even same batteries, please consult with Maxell before using.

- **Never allow liquid leaking from the battery to get in your eyes or mouth.**

Because this liquid could cause serious damage, if it does come in contact with your eyes, flush them immediately with plenty of water and consult a physician. Likewise, if the liquid gets in your mouth, rinse immediately with plenty of water and consult physician.

- **Keep leaking batteries away from fire.**

If leakage is suspected or you detect a strong odor, keep the battery away from fire, because the leaked liquid could catch on fire.

- **Never touch the battery electrodes.**

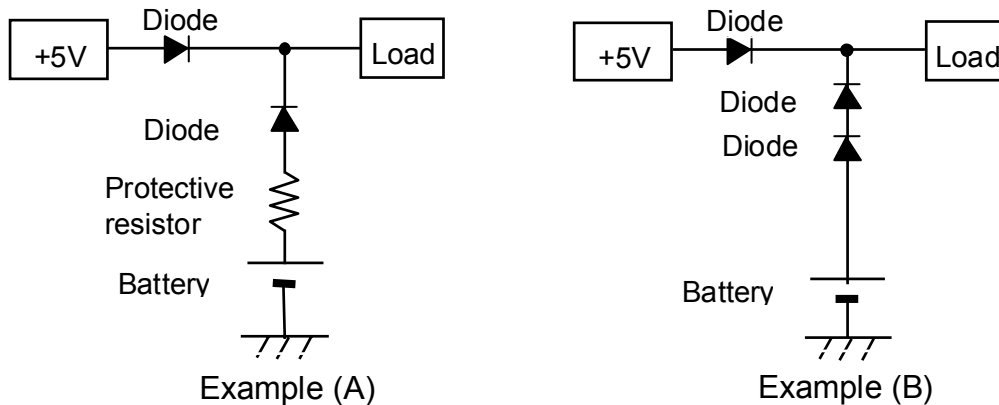
Do not allow the battery electrodes to come in contact with your skin or fingers. Otherwise, the moisture from your skin could cause a discharge of the battery, which could produce certain chemical substances causing you to receive a chemical burns..



WARNING

Circuit Design for Back-up Use

This is a primary battery and cannot be charged. If used in memory or RTC back-up applications, be sure to use diodes to prevent charging from the main power source or other batteries, and a protective resistor to regulate the current as shown in the figure below. Note that the points described below should be taken into careful consideration when selecting diodes and protective resistors.



• Supplied voltage to load

Because a diode and a resistor generate the voltage drop on operating, please take into consideration these voltage drops for supplied voltage to load.

• Using diodes to prevent charging

Please choose diodes with leak current as small as possible. Please keep the charged capacity due to leak current to within 1% of nominal capacity.

• Using and setting protective resistors

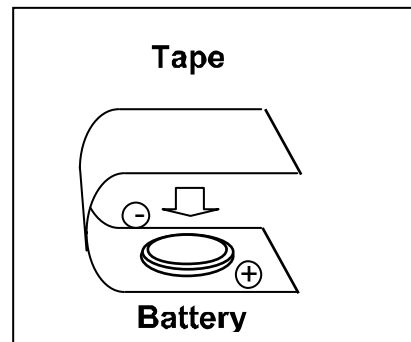
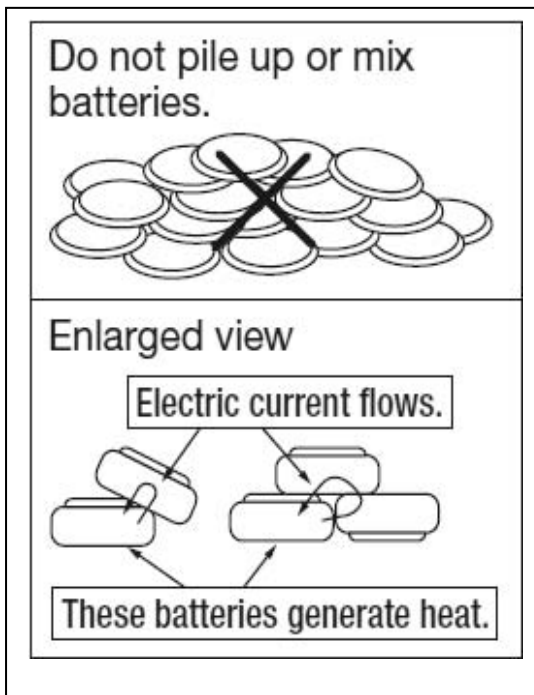
A protective resistor is used to prevent the battery from being charged by large surges of current during diode failure. Please set the resistor so that the maximum current shown in the right table is not exceeded. For example, say a CR2032 battery is used in sample circuit (A) in combination with a main power source 5 volt. Since the permitted charge current is 10mA and this battery's voltage is 3V, let the resistor be $R \geq (5V-3V)/10mA=0.2k \text{ ohm}$, meaning that at least 0.2k ohm is required.

Type	Maximum Current
CR2450HR	15mA
CR2450HR-Ex	15mA
CR2050HR	10mA
CR2450	15mA
CR2430	15mA
CR2032H	10mA
CR2032	10mA
CR2025	10mA
CR2016	10mA
CR1632	4.0mA
CR1620	4.0mA
CR1616	2.5mA
CR1220	3.0mA
CR1216	2.5mA
CR1025	2.5mA

Note: If the diodes broke down, it is necessary for safety to replace them as soon as possible even though using a protective resistor. Considering the trouble of diodes and resistors, other safety measures should be incorporated in the circuit design.

WARNING Disposal

The battery may be regulated by national or local regulation. Please follow the instructions of proper regulation. As electric capacity is left in a discharged battery and it comes into contact with other metals, it could lead to distortion, leakage, overheating, or explosion, so make sure to cover the (+) and (-) terminals with friction tape or some other insulator before disposal.



Example of battery insulation

CAUTION Handling/Storage

- **Never expose the battery to ultrasonic sound.**

Exposing the battery to ultrasonic sound may cause short-circuiting because the inside material is broken into pieces, leading to distortion, leakage, overheating, explosion, or fire.

- **Never subject the battery to severe shock.**

Dropping, throwing or stomping on the battery may cause distortion, leakage, overheating, explosion, or fire.

- **Never short-circuit the battery while installing into equipment.**

Please be careful when installing the battery not to short-circuit it with metal portions of the equipment.

- **Use the correct battery suitable for the equipment.**

The battery may not be suitable for the specific equipment due to the using conditions or type of equipment. Please select the suitable battery according to the handling instructions of the equipment.

- **Never use or leave the battery in a hot place such as under the direct rays of the sun or in a car in hot weather.**

If you do, this may cause distortion, leakage, overheating, explosion, or fire .

- **Never allow the battery to come in contact with water.**

If it does, this may cause the battery to rust or lead to distortion, leakage, overheating, explosion, or fire.

- **Never store the battery in hot and highly humid environment.**

Doing so may cause the performance of the battery to deteriorate. In certain environments, this may lead to distortion, leakage, overheating, explosion or fire.

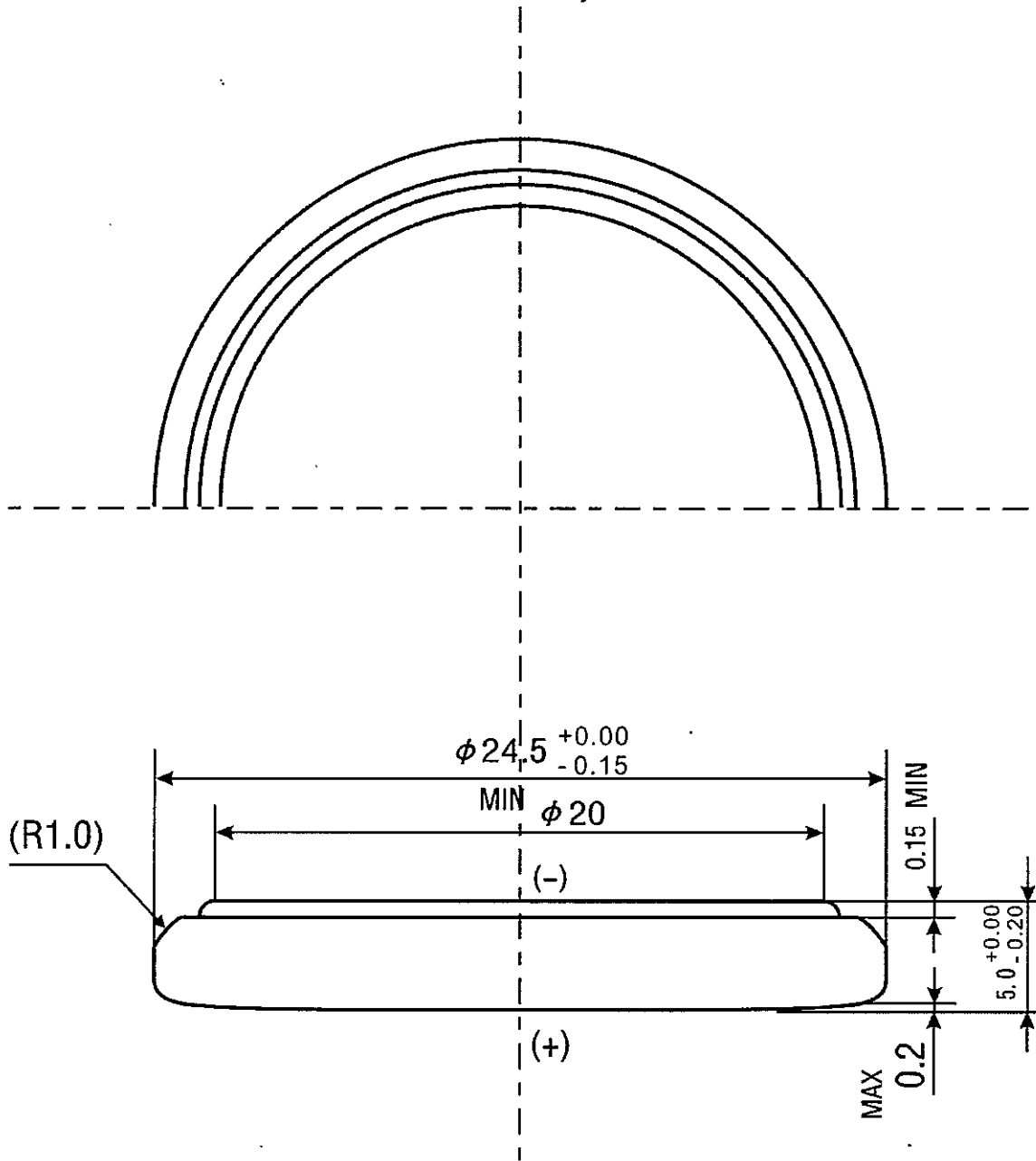
- **Keep contact pressure more than 2N.**

The battery voltage may be lower than intended value because of poor contact condition, please keep contact pressure more than 2N for suitable contact resistance.



DIMENSIONS : mm

CR2450		PROJECTION 	SCALE 5 : 1	TITLE CR2450(Maxell Asia Product MADE IN CHINA) MARKING LAYOUT	SH. —
REGD.	DWN. K. Terada / Sep 10 '14	maxell P. 12		OND WORKS DWG. NO.	REV.
CHKD. P. Yamaguchi / Sep 10 '14	014			2246074	
APPD. J. Ito / Sep 10 '14					MSH-PS-2016Q2003



DIMENSIONS : mm

			PROJECTION 	SCALE free	TITLE CR2450	SH. —		
REGD.	DWN.	K. Tsuda Nov 18 '14	maxell			ONO WORKS DWG. NO.		
	CHKD.	M. Sogawa Nov 19 '14				01 4	2245121	REV.
	APPD.	J. Id. Nov 19 '14						

SPECIFICATION FOR INSPECTIONS

LITHIUM BATTERY CR2450 MAS CH O

Maxell (Shanghai) Trading Co., Ltd.

SPECIFICATION FOR INSPECTIONS

It is guaranteed that this specification of the inspections will be fulfilled by our products. Maxell (Shanghai) Trading Co., Ltd. shall identify the cause of the problem and proceed to take remedial actions if the products do not fulfill this specification of inspections.

1. Quality Standard

The product specification will be conformed.

2. Unit of Inspections

One battery will be taken as one unit of inspection.

3. Definition of Lot

A batch of products that are manufactured by the same production lines with the same lot code mark.

4. Test Method

The products specification will be conformed.

5. Sampling Plan (OQC)

	Inspection Item	Inspection Plan	Sampling Level	Inspectio Level	A.Q.L
1	Dimensions	GB/T8897.2-2008	GB/T2828.1-2003	II	Ac 0 Re 1
2	Open Circuit Voltage	GB/T8897.2-2008	GB/T2828.1-2003	II	Ac 0 Re 1
3	Short Circuit Current	GB/T8897.2-2008	GB/T2828.1-2003	II	Ac 0 Re 1
4	Appearances	GB/T8897.2-2008	GB/T2828.1-2003	II	1.5
5	Leakage	GB/T8897.2-2008	GB/T2828.1-2003	II	0.65

Major Defect If there is failure on the functions of the products, it will be construed as major defect.

Others Defect that is distinguished from Major Defect.

The operating features by attributes are used as a base for sampling inspections.