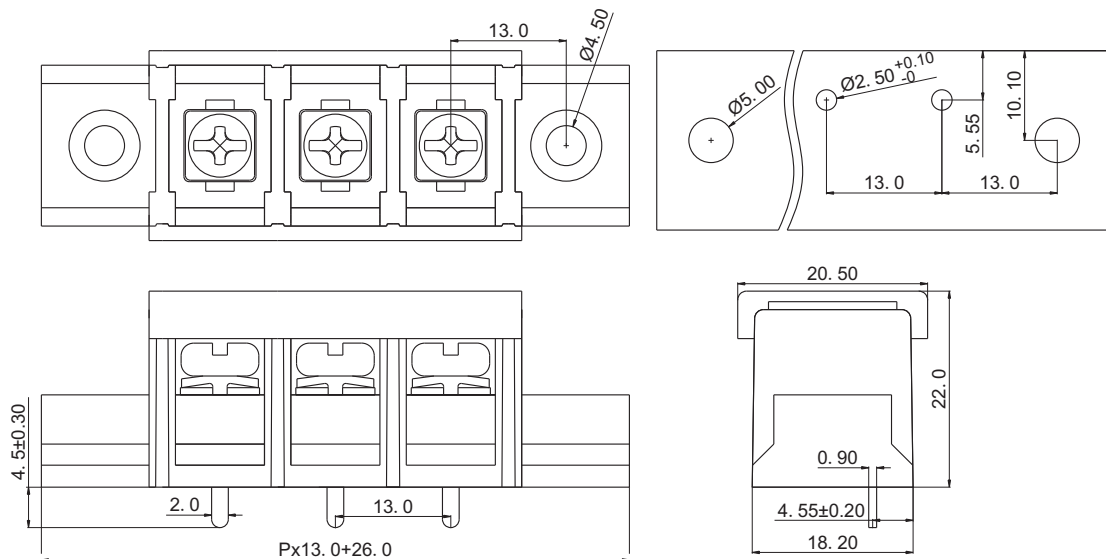




慈溪市科发电子有限公司

CIXI KEFA ELECTRONICS CO., LTD.

产品规格书



认证
电气性能
 参考标准
 额定电压
 额定电流
 使用线径
 耐电压

UL	IEC
600V	750V
30A	40A
18-10 AWG	6.0mm ²
AC2500V/1Min	

机械性能
 扭力距
 温度范围

12.0Kg.cm
-40℃—+105℃

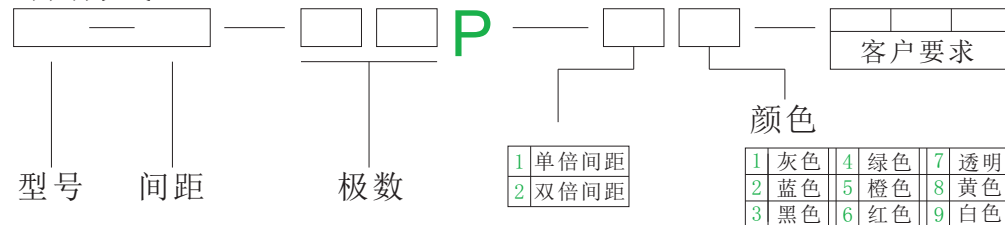
尺寸
 间距
 极数

13.0mm
2P-24P

材质及电镀
 塑体
 焊针
 螺丝

PA66 UL94V-0
黄铜 镀锡
M4 钢 镀镍

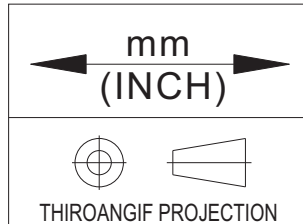
订购方式:



塑胶件一般尺寸公差对照表

linear dimension(Tolerances Standard GB/T 14486-2008)

	0 to 10	over 10 to 20	over 20 to 30	over 30 to 40	over 40 to 50	over 50 to 70	over 70 to 90	over 90 to 110	over 110 to 130	over 130 to 150	over 150 to
variabl e range	0 to 10	over 10 to 20	over 20 to 30	over 30 to 40	over 40 to 50	over 50 to 70	over 70 to 90	over 90 to 110	over 110 to 130	over 130 to 150	over 150 to
toleranc	±0.20	±0.25	±0.30	±0.40	±0.50	±0.60	±0.80	±1.00	±1.20	±1.30	±1.50



慈溪市科发电子有限公司
 CIXI KEFA ELECTRONICS CO., LTD.

NAME KF78SM-13.0