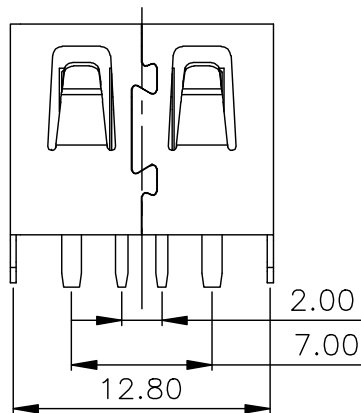
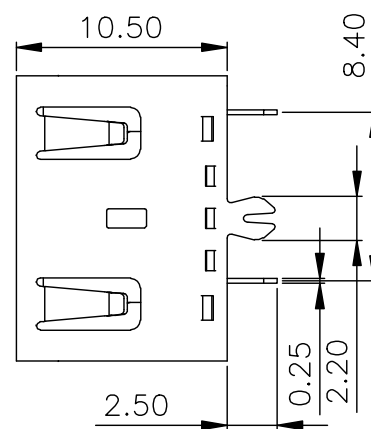
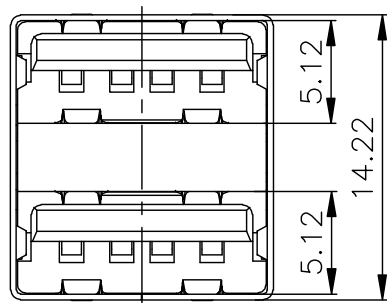
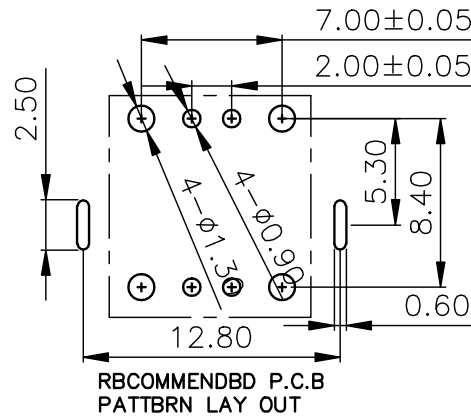
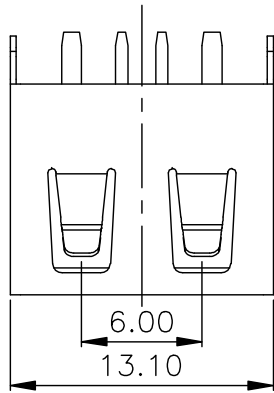


RoHS

Parts Drawing

REVISIONS

| SYM | ECN No. | MODIFICATION | DATE | ISSUED |
|-----|---------|--------------|------|--------|
| | | | | |



Note:

1. Material:

- 1.1, Housing: WHITE G/F, UL94v-0
- 1.2, Contact: copper alloy, t=0.25mm
- 1.3, Shell: copper/Ferroalloy alloy, t=0.30mm

2. Specification:

- 2.1, Current rating: 5.0A Max.
- 2.2, Dielectric withstanding voltage: 100 V(ac) for 1 min.
- 2.3, Contact resistance: 30 mΩ Max.
- 2.4, Insulation resistance: 100 MΩ Min.
- 2.5, Total mating force: 3.57 Kgf Max.
- 2.6, Total unmating force: 1.0 Kgf Min.

3. Finish:

- 3.1, Contact: Plated Golt in Mating Area:
Tin On Solder Talls
Shell: Nickel Plating

4. Environmental:

- 4.1, Temperature range: -55°C~85°C

PART ON:

907-222AXXX1Y1XX

- 电鍍規格: 02, 鍍金1u" 04, 鍍金3u" 07, 鍍金15u" 08, 鍍金30u"
- 端子材質: 1, 青銅 2, 磷銅
- 端子規格: D, 90度 Y, 180度 S, SMT貼板
- 塑膠型態: 1, 雙層短體 2, 雙層半包
- 塑膠顏色: 01, 白色 02, 黑色 03, 本色
- 塑膠材質: 1, PBT 2, LCP 3, PA6T 4, PPA 5, PA6T
- 對插方向: A, 正向 B, 反向
- 外殼材質: 1, 鐵壳 2, 銅壳
- 插口類型: 1, 有邊平排 2, 无边平排
- 外殼脚型: 1, 弯脚 2, 直脚 3, 无脚 4, 鱼叉脚
- 类别: 双層系列

| | | | | | | | |
|----------|--|---------------------|-------------------------------|------------------|--------|------|------|
| DRAWN | | 深圳市精拓金电子有限公司 | | PART NO. | | | |
| CHECKED | | | | SEE PART ON | | | |
| APPROVED | | TITLE | | DRAWING NO. | | | |
| | | USB AF 10.5短体双层直脚无边 | | R907222A1021Y102 | | | |
| | | UNIT | TOLERANCE | SCALE | SHEET | SIZE | REV. |
| | | mm | .XXX±10, XX±25, X±38, ANG±15° | 1:1 | 1 OF 1 | A4 | X1 |