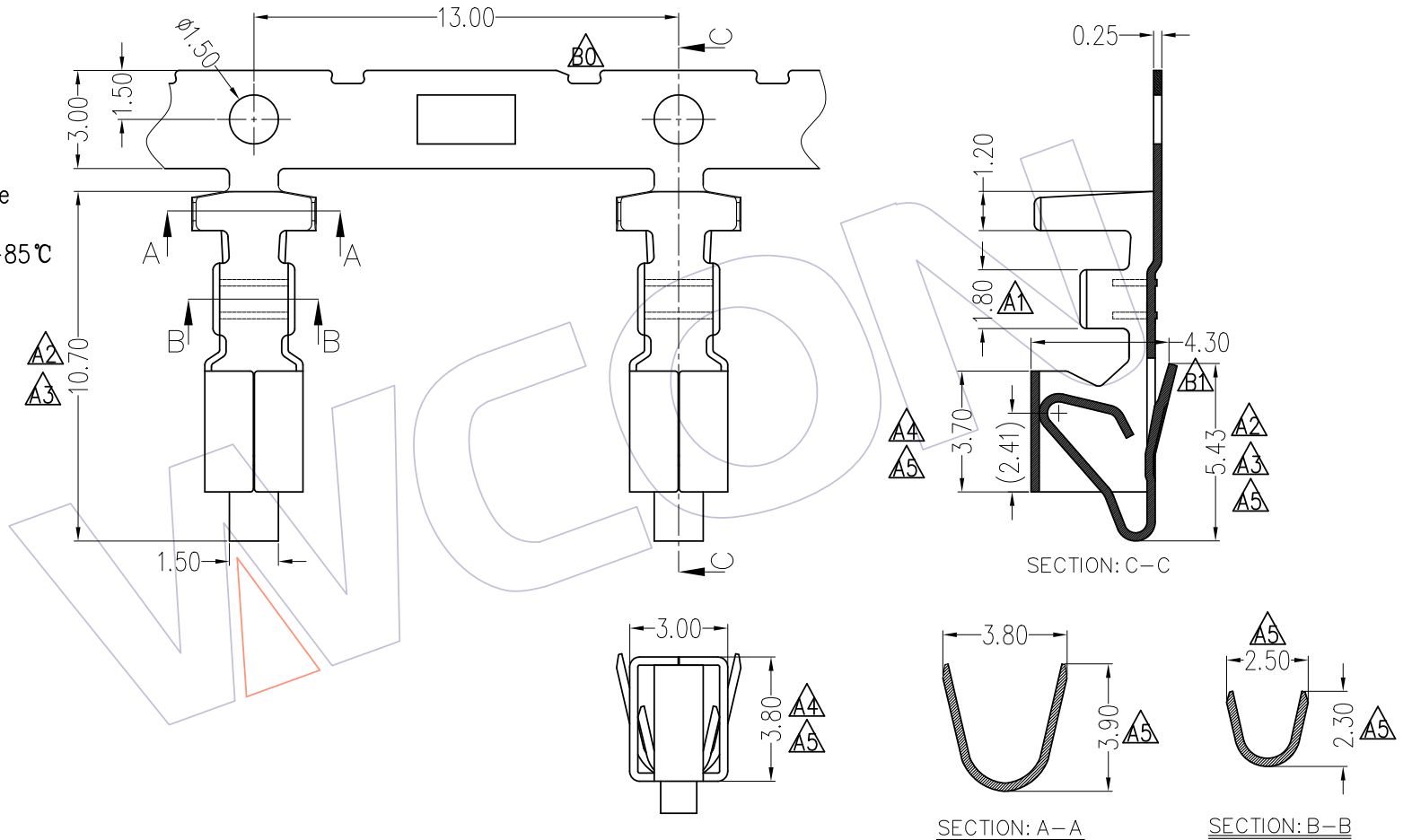


HSF

NOTES:
 Rated Current: 7.0AMP
 Rated Voltage: 250V AC/DC
 Contact Resistance: 10mΩ max
 Withstand Voltage: 1500V AC/Minute
 Insulation Resistance: 1000MΩ min
 Operation Temperature: -25°C to +85°C



Ordering Information

WF 3963 - T X XX 0 1

Material	Contact Plating
P=Phosphor bronze	G0=Gold Flash
B=Brass	G3=10u"Gold
	G4=15u"Gold
	G5=30u"Gold
	S0=Gold Flash/Tin
	S3=10u"Gold/Tin
	S4=15u"Gold/Tin
	S5=30u"Gold/Tin
	SN=Tin

Specification & Ordering Information:

Part No.	Thickness	Material	Finish	Wire Range	Insulation O.D	Q'ty/Reel
WF3963-TPXX01	0.25	Phosphor bronze	Tin/Gold-Plated	AWG#18~#22	1.60~2.10mm	4,000PCS
WF3963-TBXX01	0.25	Brass	Tin/Gold-Plated	AWG#18~#22	1.60~2.10mm	4,000PCS

REV	DATE	MODIFICATION DESCRIPTION	CHANGE	OPERATION	DIM	TOL
B1	2019/02/27	Modify	—	OPERATION		
B0	2018/11/21	Modify	—	X.X	±0.40	
A5	2018/11/05	Modify	—	X.XX	±0.25	
A0	2008/07/19	NEW	—	X.XXX	±0.15	
				Angle	± 3'	

DRAW	DATE	SCALE	FIT	PART NO.
Ding	2019/02/27	UNIT	mm inch	WF3963-TXXX01
CHECK	DATE	SIZE	A4	TITLE:
		SHEET	1/1	VH 3.96 WAFER TERMINAL
APPROVE	DATE	PROJ.		Customer NO.

WCON
 Http: www.wcon.com

WCON-Dongguan Tel: +86 769 85358920 Fax: +86 769 85358915 E-mail: sales@wcon.com	WCON-Kunshan Tel: +86 512 57468408 Fax: +86 512 57468468 E-mail: salesks@wcon.com
-------------------------------------------------------------------------------------------	--------------------------------------------------------------------------------------------