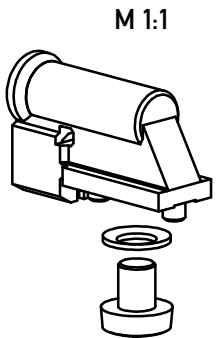
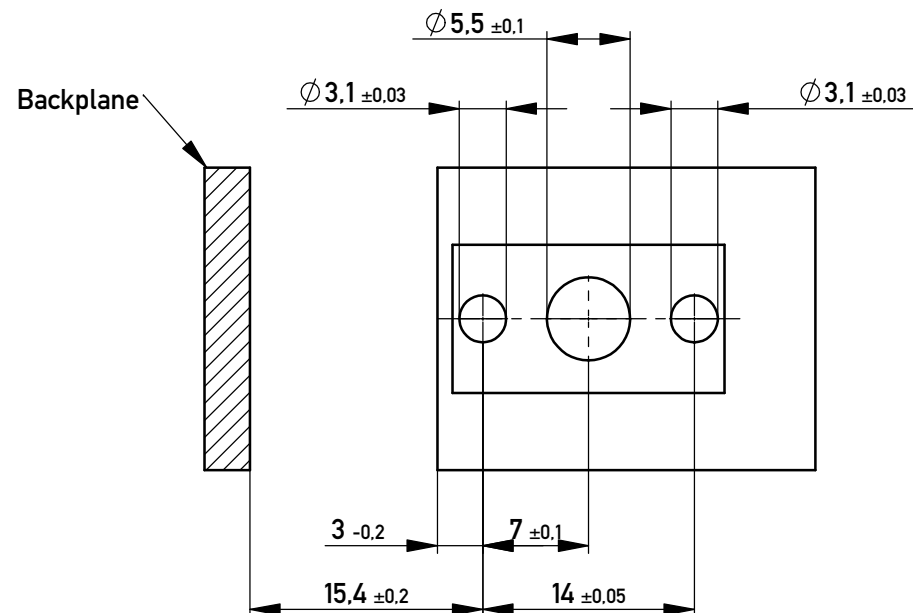


Layout der Tochterkarte - *Layout of daughtercard*



| | | |
|--------------------------------------------------------------------------------------------------------------------------------------------------------------------|-------------------------------------------------------------------------------|-----------------------------------------------|
| 144128 | 8 | 2.0 - 4.5 |
| 144127 | 6 | 1.5 - 2.0 |
| Ident.-Nr.: | Schraubenlänge L <i>length of screw</i> | Leiterplattenstärke T <i>thickness of pcb</i> |
| Information: | Tolerances | Scale 2:1 |
| All rights reserved. Only for Information. To ensure that this is the latest version of this drawing, please contact one of the ERNI companies before using. | Subject to modification without prior notice. Drawing will not be updated. | Designation |
| | | |
| g | 22.02.2016 | 144126 |
| Index | Date | |
| www.ERNI.com | | 1 |
| Class | | A3 |
| Class | | ERMBGR |

Copyright by ERNI Production GmbH & Co. KG
Proprietary notice pursuant to ISO 16016 to be observed.