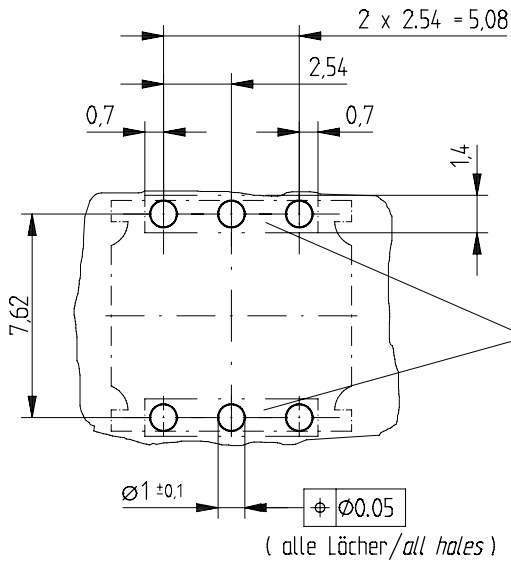


Leiterplattenbohrbild  
PCB drillhole pattern



Dieser Bereich muß gleiches Potential auf LP-Oberfläche haben  
*This area must have same electrical potential on surface of PCB*

214788	M4
214801	M3
214802	6-32UNC
214803	8-32UNC
Ident-Nr. Part No.	Gewinde thread

Consider protection memo from DIN 34	Information:	Tolerances	 All Dimensions in mm	Scale	5:1
	All rights reserved. Only for information. To insure that this is the latest version of this drawing, please contact one of the ERNI companies before using.	Subject to modification without prior notice. Drawing will not be updated.		Designation	SVA 6-polig TL Power Bug 6pin TL
b	10.05.2006	www.ERNI.com		204821	I
Index	Date	C:00057475.SZA		EPSVA	

# Mouser Electronics

Authorized Distributor

Click to View Pricing, Inventory, Delivery & Lifecycle Information:

[ERNI Electronics:](#)

[214788](#)