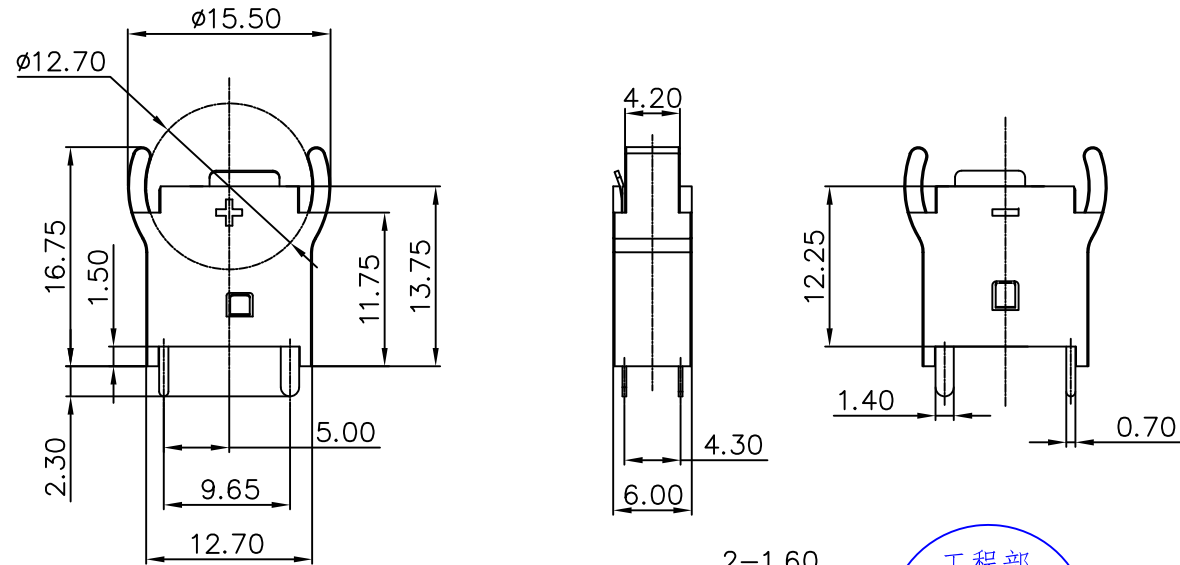
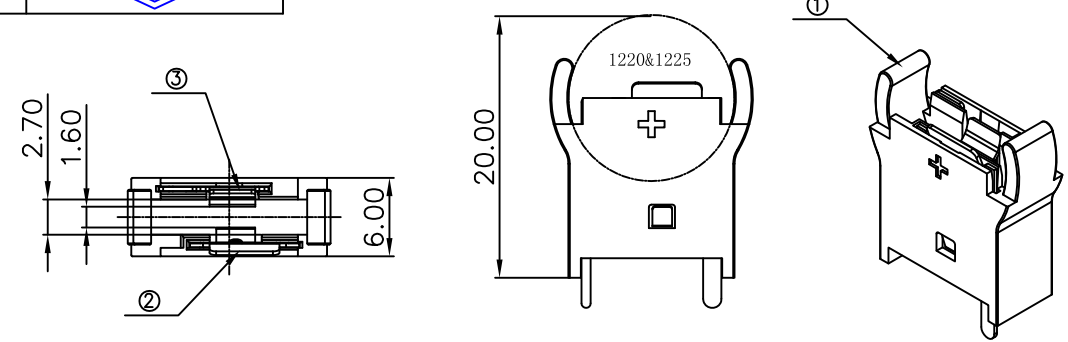




REV.	ECN NO.	REVISED	DATE

NOTE:

- 1.MATERIAL:  
a.HOUSING: PA66  
b.CONTACT: C5191  
(SURFACE PLATING: Ni100U"~120U")  
SEE ORDERING INFORMATION
- 2.ELECTRIC:  
a.CONTACT RESISTANCE: 100 MILLIOHMS MAX  
b.INSULATION RESISTANCE: 1000 MEGA OHMS MIN  
c.DIELECTNIC VOLTAGE: 500V AC ONE SEC LEVEL  
d.OPERATING TEMPERATURE: -25°C~ +85°C



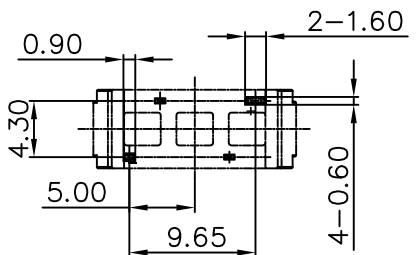
ORDERING INFORMATION  
BS-12-A1BJ001

PLATING:  
A-Au1U"  
J-Ni100U"~120U"  
K-Sn100U"~120U"

MATERIAL:  
1A-PBT BLACK  
1B-PA66 BLACK  
2A-PPA BROWN  
2B-PPA BLACK  
3A-PPS BROWN  
3B-PPS BLACK  
4A-LCP WHITE  
4B-LCP BLACK

电池座系列  
BS-12系列  
DIP TYPE

工程部  
2020-07-01  
LQ. HUANG



PCB Layout Diagram  
BOTTOM View

3	TERMINAL(-)	1	C5191 T=0.3	Ni-Plating
2	TERMINAL(+)	1	C5191 T=0.3	Ni-Plating
1	HOUSING	1	PA66	BLACK
NO.	PART NAME	Q'TY	MATERIAL	PLATING & COLOR

UNLESS OTHERWISE SPECIFIED TOLERANCES		<b>MYOUNG 美阳</b> <a href="http://www.meiyangdz.com">www.meiyangdz.com</a>	
DECIMALS: X :±0.30 X.X :±0.25 X.XX :±0.20 X.XXX :±0.10	ANGLES: X :±1° X.X :±0.5°	DSND YangFeng	DATE 2020-07-01
WEIGHT:		CHKD ZhouRuicai	DATE 2020-07-01
SHEET 1 OF 1		APVD XueShunyong	DATE 2020-07-01
SCALE:		SIZE: A4	VIEW:
UNIT: mm		REV.: A/0	OBJECT: MY
TITLE:		BS-1220&1225-3 Ni DIP 改引脚	
PART NO.:		BS-12-A1BJ001	
DRAW NO.:		MY-CP-0229	