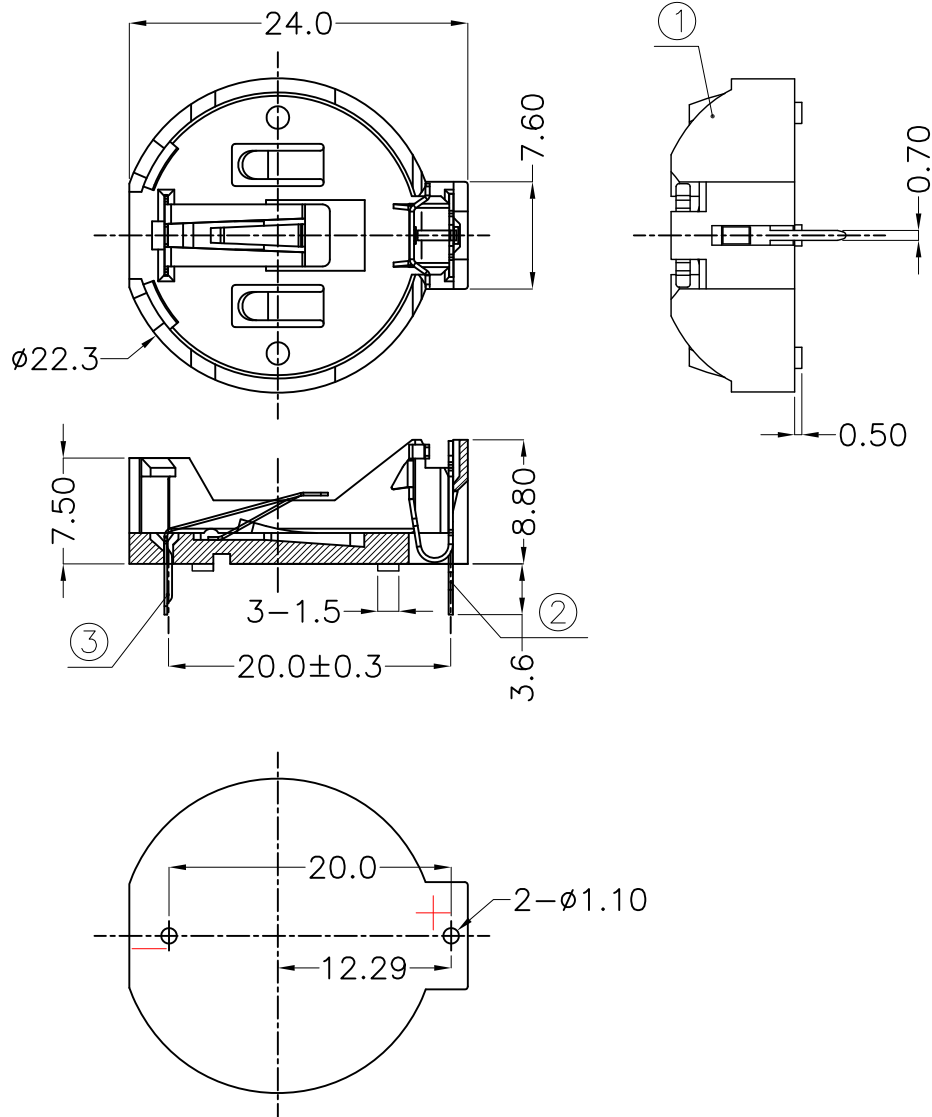




REV.	ECN NO.	REVISED	DATE



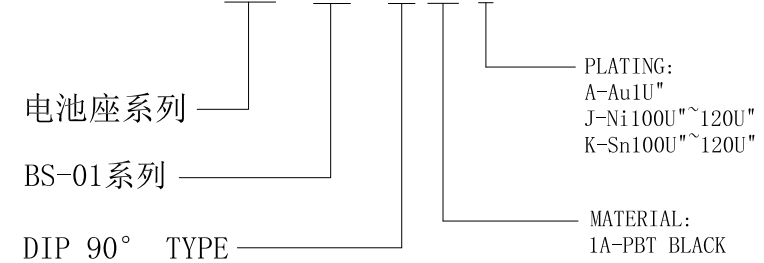
PCB Layout Diagram  
Top View

NOTE:

- 1.MATERIAL:  
a.HOUSING:LCP  
b.CONTACT: BRASS  
(SURFACE PLATING:Ni 100u'' ~120u'')  
SEE ORDERING INFORMATION
- 2.ELECTRIC:  
a.CONTACT RESISTANCE: 30 MILLIOHMS MAX  
b.INSULATION RESISTANCE: 1000 MEGA OHMS MIN  
c.DIELECTNIC VOLTAGE: 1000V AC ONE SEC LEVEL  
d.OPERATING TEMPERATURE: -25°C~ +85°C

ORDERING INFORMATION

BS-01-A\*\*\*004



3	TERMINAL(-)	1	BRASS, T=0.20mm	Ni-Plating
2	TERMINAL(+)	1	BRASS, T=0.30mm	Ni-Plating
1	HOUSING	1	LCP	BLACKHF
NO.	PART NAME	Q'TY	MATERIAL	PLATING & COLOR

UNLESS OTHERWISE SPECIFIED TOLERANCES		<b>MYOUNG 美阳</b> www.meiyangdz.com			
DECIMALS: X :±0.30 X.X :±0.25 X.XX :±0.20 X.XXX :±0.10	ANGLES: X :±1° X.X :±0.5°	DSND	YangFeng	DATE	2020-11-17
WEIGHT: g		CHKD	ZhouRuicai	DATE	2020-11-17
SHEET 1 OF 1		APVD	XueShun Yong	DATE	2020-11-17
SCALE:      SIZE: A4		VIEW:		TITLE: BS-2032-1-1 LCP DIP	
UNIT: mm		REV.: A/0		PART NO.: BS-01-A4CJ004	
OBJECT: MY		DRAW NO.:WD-CP-0101			