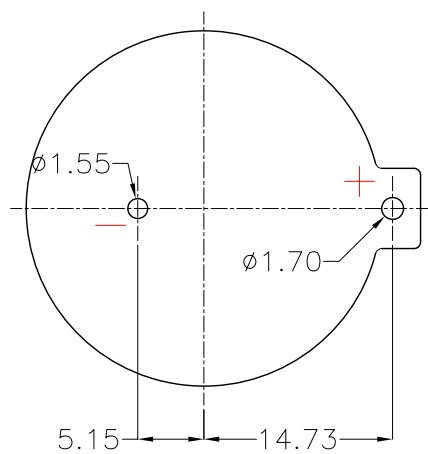
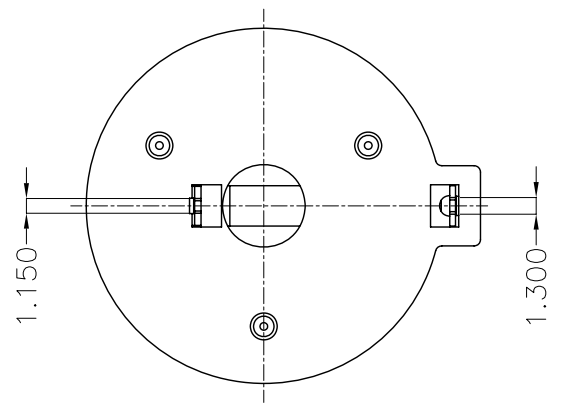
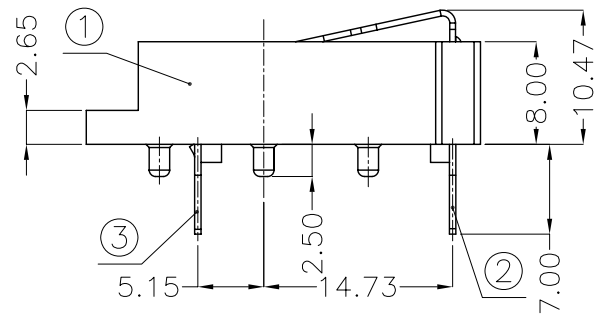
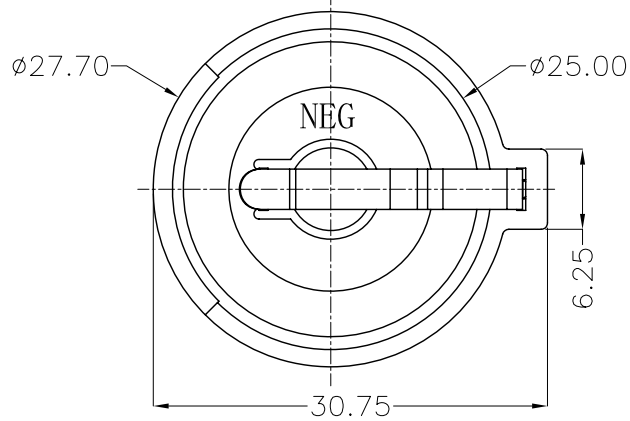




REV.	ECN NO.	REVISED	DATE



PCB Layout Diagram
Top View

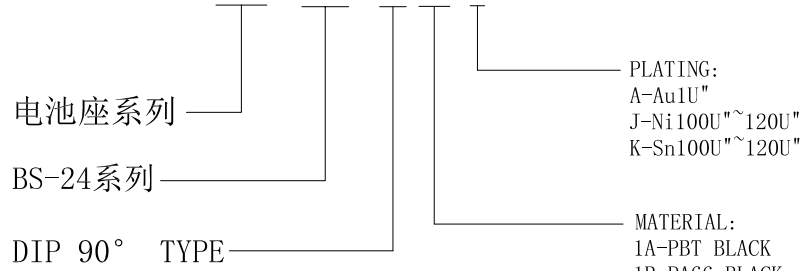
NOTE:

- MATERIAL:
 - a. HOUSING: PBT
 - b. CONTACT: Mn Steel
(SURFACE PLATING: Ni100u"~120u")
- ELECTRIC:
 - a. CONTACT RESISTANCE: 30 MILLIOHMS MAX
 - b. INSULATION RESISTANCE: 1000 MEGA OHMS MIN
 - c. DIELECTRIC VOLTAGE: 500V AC ONE SEC LEVEL
 - d. OPERATING TEMPERATURE: -25°C ~ +85°C

SEE ORDERING INFORMATION

ORDERING INFORMATION

BS-24-A*009**



- PLATING:
 A-Au1U"
 J-Ni100u"~120u"
 K-Sn100u"~120u"
- MATERIAL:
 1A-PBT BLACK
 1B-PA66 BLACK
 2A-PPA BROWN
 2B-PPA BLACK
 3A-PPS BROWN
 3B-PPS BLACK
 4A-LCP WHITE
 4B-LCP BLACK

3	TERMINAL(-)	1	Mn Steel,T=0.50mm	Ni Plating
2	TERMINAL(+)	1	Mn Steel,T=0.50mm	Ni Plating
1	HOUSING	1	PBT	BLACK
NO.	PART NAME	Q'TY	MATERIAL	PLATING & COLOR

UNLESS OTHERWISE SPECIFIED TOLERANCES		MYOUNG 美阳 www.meiyangdz.com	
DECIMALS: X :±0.30 X.X :±0.25 X.XX :±0.20 X.XXX :±0.10	ANGLES: X :±1° X.X :±0.5°	DSND YangFeng	DATE 2017-07-17
WEIGHT: 3.41g		CHKD ZhouRuicai	DATE 2017-07-17
SHEET 1 OF 1		APVD XueShunyong	DATE 2017-07-17
UNIT: mm	REV.: A/0	SCALE: 2:1	VIEW:
OBJECT: MY	TITLE: BS-2477-2 DIP	SIZE: A4	PART NO.: BS-24-A1AJ009
			DRAW NO.:MY-CP-0036