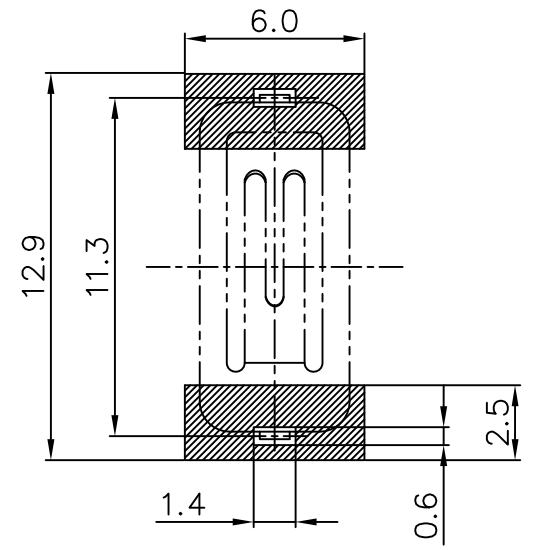
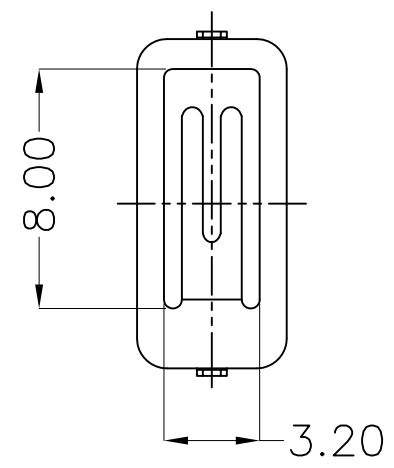
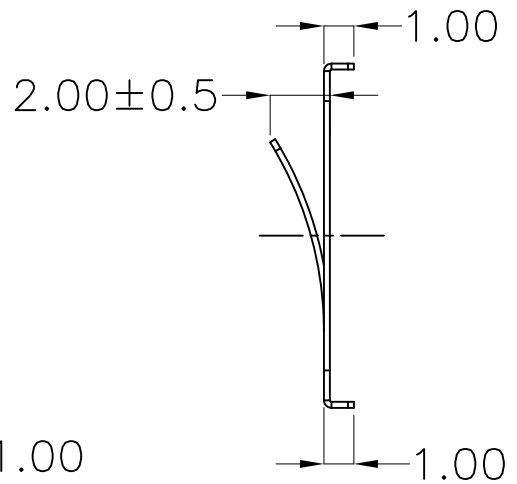
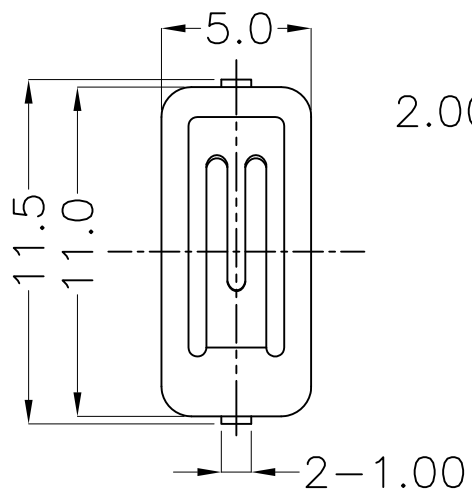




REV.	ECN NO.	REVISED	DATE

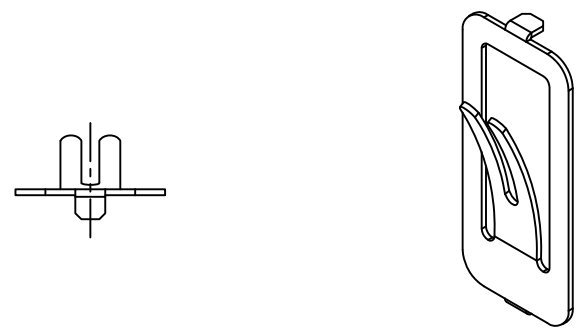


PCB LAYOUT DIAGRAM
TOP VIEW

工程部
2019-06-03
LQ. HUANG

技术要求:

- 1、毛刺高度 $\leq 0.03\text{mm}$;
- 2、部件要求平整,无变形、裂纹、损伤等外观缺陷;



UNLESS OTHERWISE SPECIFIED TOLERANCES		MYOUNG 美阳 www.meiyangdz.com				
DECIMALS: X :±0.30 X.X :±0.25 X.XX :±0.20 X.XXX :±0.10	ANGLES: X :±1° X.X :±0.5°	DSND	YangFeng	DATE	2019-06-03	
WEIGHT: g		CHKD	ZhouRuicai	DATE	2019-06-03	
SHEET 1 OF 1		APVD	XueShunyong	DATE	2019-06-03	
		SCALE:	4:1	SIZE:	A4	
		UNIT:	mm	REV.:	A/1	
		VIEW:			OBJECT:	MY
		TITLE:		电池接触片-118 负极 DIP		
		PART NO.:		MY-FJ-118		
		DRAW NO.:MY-CP-0204				

1	TERMINAL(-)	1	PHOSPHOR BRONZE, T=0.20mm	Ni-Plating
NO.	PART NAME	Q'TY	MATERIAL	PLATING & COLOR