



REV.	ECN NO.	REVISED	DATE

NOTE:

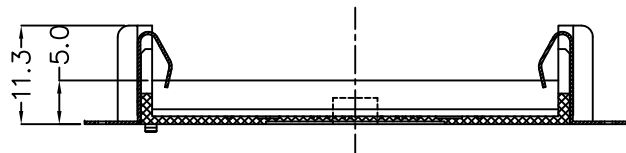
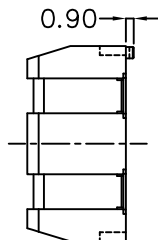
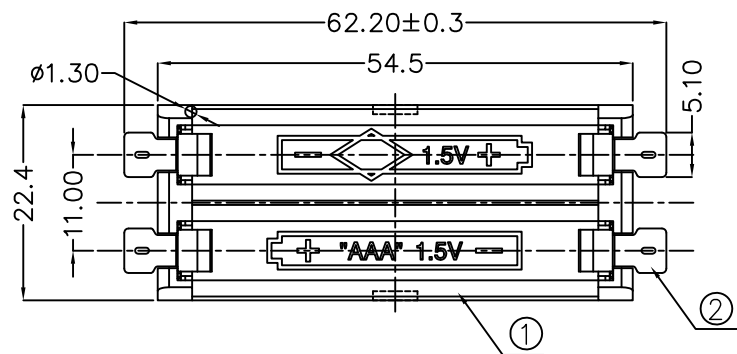
1.MATERIAL:

- a.HOUSING:PA9T BLACK
- b.CONTACT:PHOSPHOR BRONZE
(SURFACE PLATING: Sn100u"~120u")

SEE ORDERING INFORMATION

2.ELECTRIC:

- a.CONTACT RESISTANCE: 30 MILLIOHMS MAX
- b.INSULATION RESISTANCE: 1000 MEGA OHMS MIN
- c.DIELECTRIC VOLTAGE: 500V AC ONE SEC LEVEL
- d.OPERATING TEMPERATURE: -25° C~ +85° C



ORDERING INFORMATION

BH-AAA-B***001

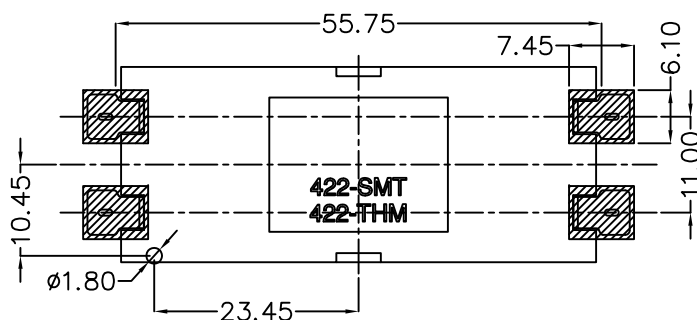
电池盒

电池型号

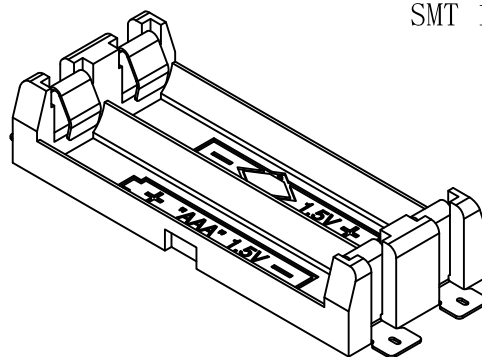
SMT 180° TYPE

PLATING:
A-Au1U"
J-Ni100U"~120U"
K-Sn100U"~120U"

MATERIAL:
1A-PBT BLACK
1B-PA66 BLACK
2A-PPA BROWN
2B-PPA BLACK
3A-PPS BROWN
3B-PPS BLACK
4A-LCP WHITE
4B-LCP BLACK
5A-PA9T BLACK



PCB Layout Diagram
Bottom View



UNLESS OTHERWISE SPECIFIED TOLERANCES		MYOUNG 美阳 www.meiyangdz.com	
DECIMALS: X :±0.30 X.X :±0.25 X.XX :±0.20 X.XXX :±0.10	ANGLES: X :±1° X.X :±0.5°	DSND YangFeng	DATE 2018-09-09
WEIGHT:		CHKD ZhouRuicai	DATE 2018-09-09
SHEET 1 OF 1		APVD XueShunyong	DATE 2018-09-09
SCALE: VIEW:		SIZE: A4	TITLE: 电池盒BH-AAA-01 Sn
UNIT: mm		REV.: A/0	PART NO.: BH-AAA-B5AK001
		OBJECT: MY	DRAW NO.:MY-CP-0145

2	TERMINAL	4	PHOSPHOR BRONZE, T=0.3MM	Sn-Plating
1	HOUSING	1	PA9T	BLACK
NO.	PART NAME	Q'TY	MATERIAL	PLATING & COLOR